

# TABLE-TOP MODULAR CONVEYORS

## Product Overview

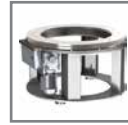
You are currently viewing:



**Table-Top Modular  
Conveyors**



**Parallel Shaft/  
Flange Drives ..... IN-PAR**



**RNG Easy Access  
Dial Indexers ..... IN-RNG**

## Additional Indexing Products:



**Servo Positioner  
Rotary Table ..... IN-GTB**



**Rite-Link Conveyors ..... IN-RLC**



**RDM Dial Indexers ..... IN-RDM**



**Heavy Duty  
Modular Conveyors ..... IN-HDC**



**RA Right Angle Drives ..... IN-RA**



**LPP Linear Part Handles ..... IN-LPP**



**RD HD Dial Indexers ..... IN-RD**



**RPP Rotating Part Handlers .. IN-RPP**



**E-Series HD Drives ..... IN-EHD**



**Overload Clutches ..... IN-CLU**



**MDE/HDE Indexers ..... IN-MDE**



**Custom Cams ..... IN-CAM**



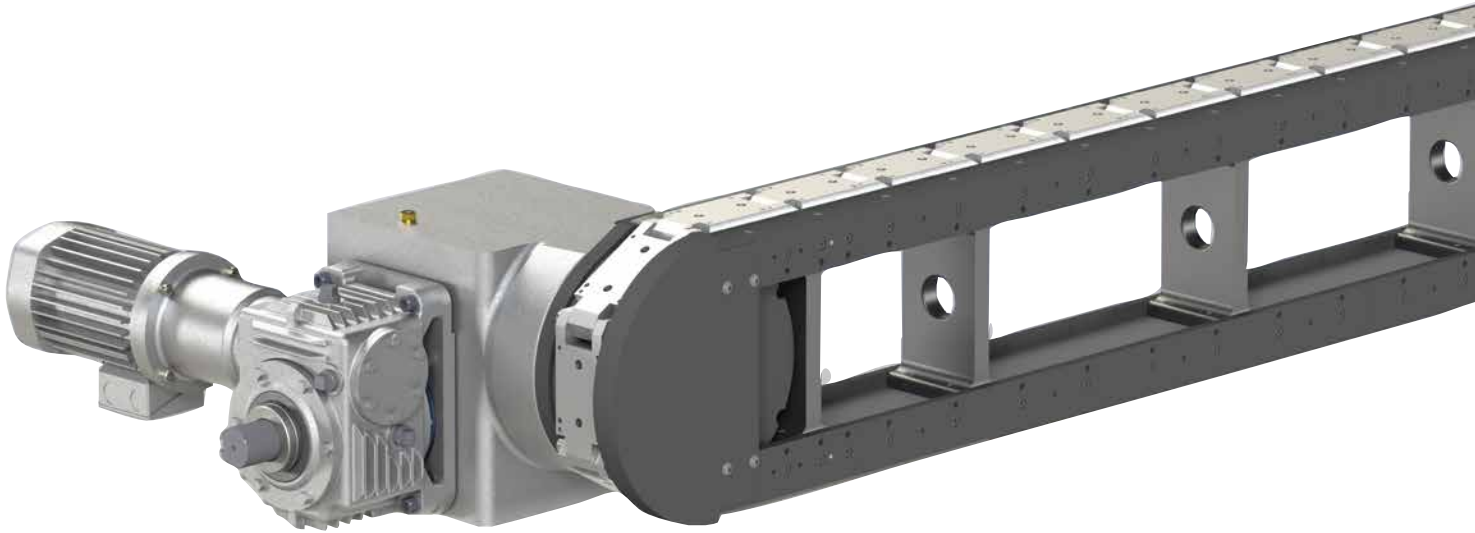
**RSD Flexible Servo Drives .. IN-RSD**



**RGS/RGD  
Shaft/Flange Drives ..... IN-RGS**

# TABLE-TOP MODULAR CONVEYORS

Features | How To Order



## Features:

---

**CAMCO Modular Table Top Precision Link Conveyors** are ideal for linear transfer applications with features including:

Modular frame design in fixed increment lengths facilitates quick assembly and delivery.

Table-Top or Base mounted

Available in carousel or over-under style

Precision positioning of parts for assembly or manufacturing processes

High-speed station-to-station parts transfer

Precision links with roller bearing cam followers for smooth transfer and long life.

Link sizes (3-inch, 4.5-inch, 6-inch) to meet most application requirements

Open frame design for pass-through of belting, linkages, electric and air supply components.

Optional bases, line shafts & tooling plates

Complete with motorized index drive system including overload protection.

## Table of Contents

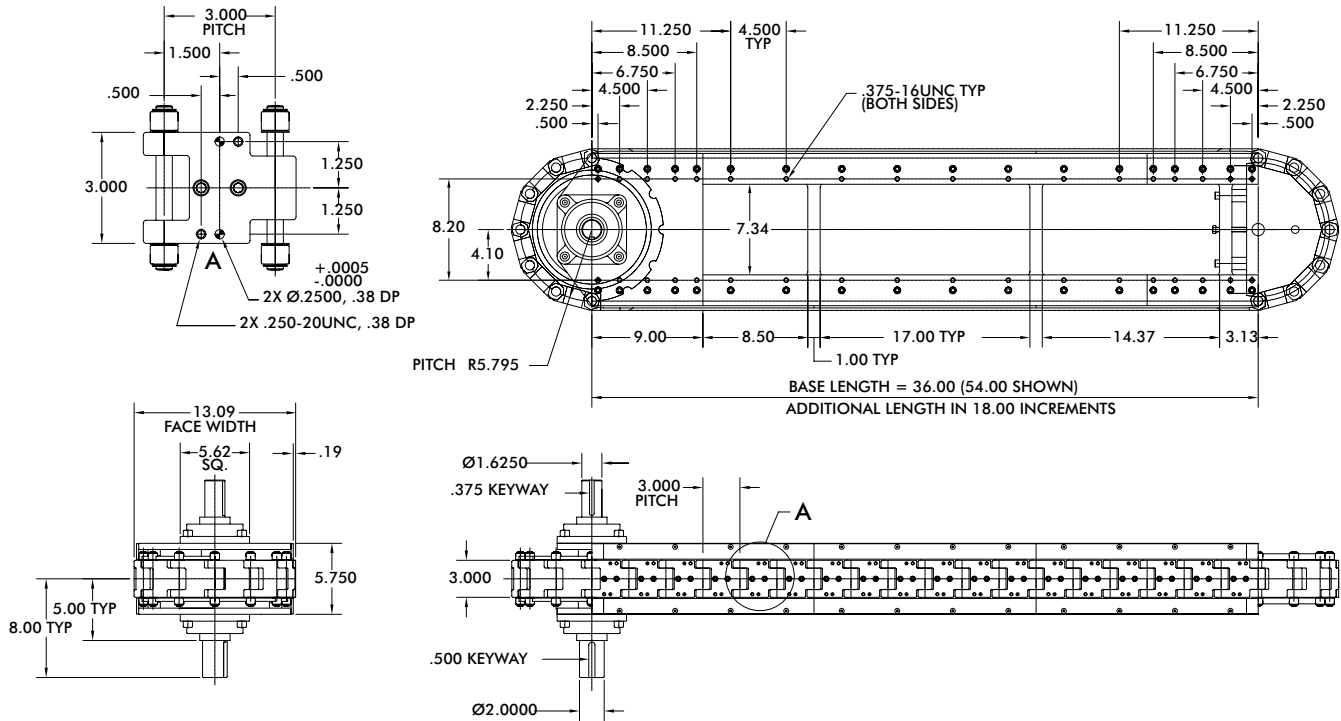
---

3.0 Inch .....	3
4.5 Inch .....	5
6.0 Inch .....	7
Conveyor Options .....	9

# 3.0 INCH SERIES

## Table-Top Modular Conveyors | Dimensions and Configurations

### Modular Conveyor (module only)



### Modular Conveyor (drive package)

#### Standard Drive Package

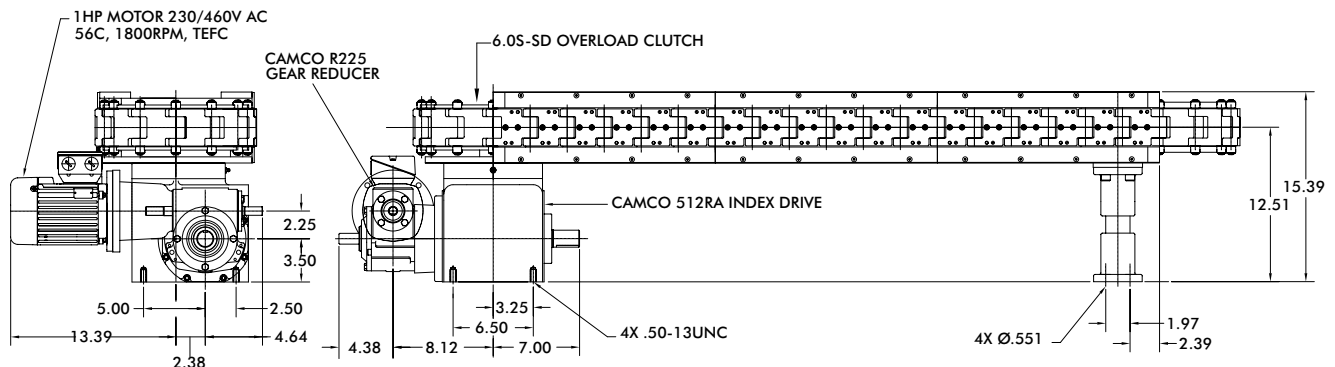
- 512RA Index Drive
- R225 Gear Reducer
- 6.0FC-SD Overload Clutch (Shaft Drive)
- 6.0S-SD Overload Clutch (Direct Drive)
- 1 hp high-cycling, performance AC Motor
- IM-pAC Motor Control

#### Heavy-Duty Drive Package

- 662RA Index Drive
- 7300C Gear Reducer
- 11FC-SD Overload Clutch (Shaft Drive)
- 6.0-SD Overload Clutch (Direct Drive)
- 1 hp high-cycling, performance AC Motor
- IM-pAC Motor Control

Index Distance [in.]	Indexer Stops
3.00	12
6.00	6
9.00	4
12.00	3

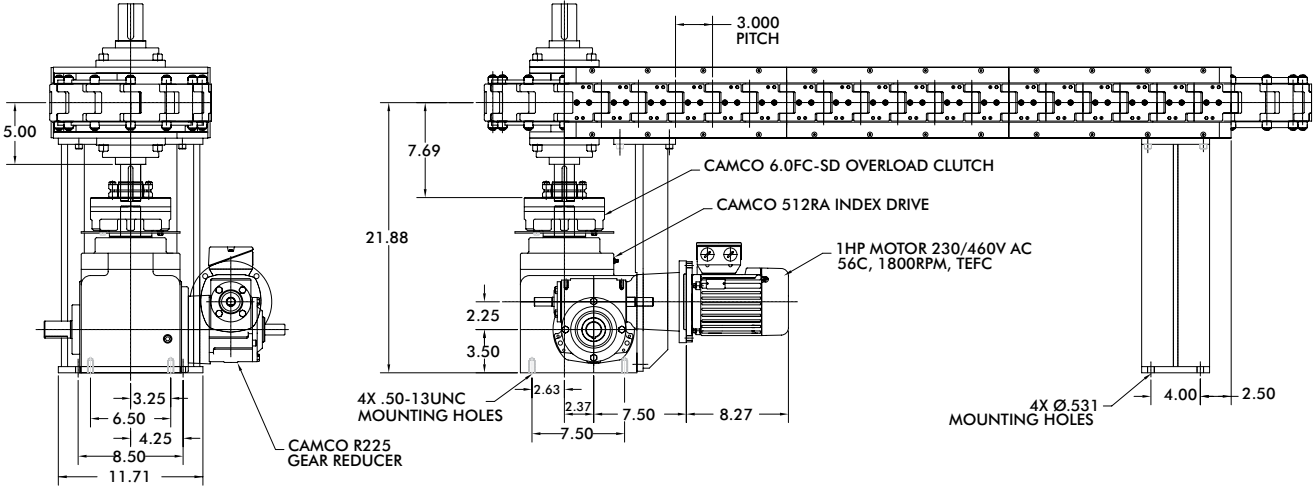
### Direct Drive Carousel



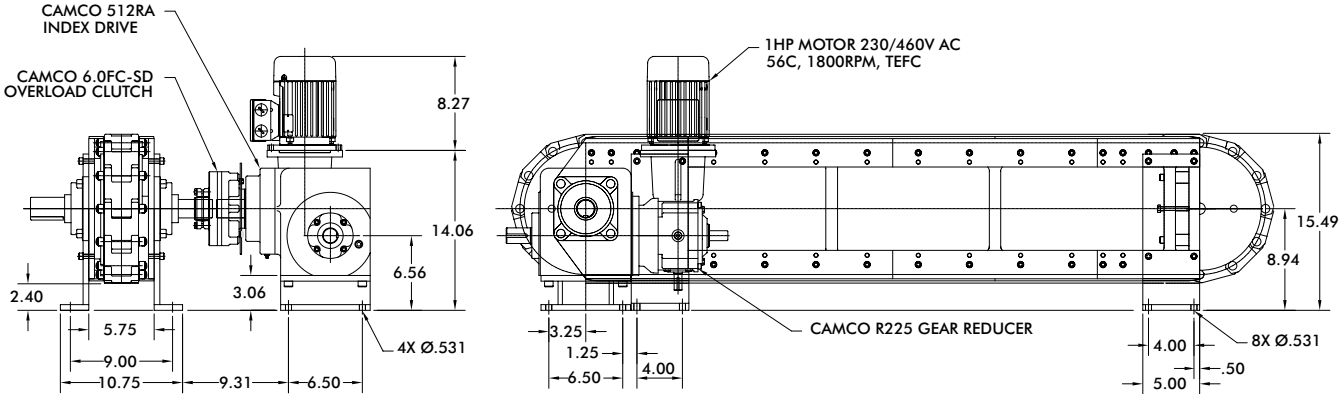
# 3.0 INCH SERIES

## Table-Top Modular Conveyors | Configurations

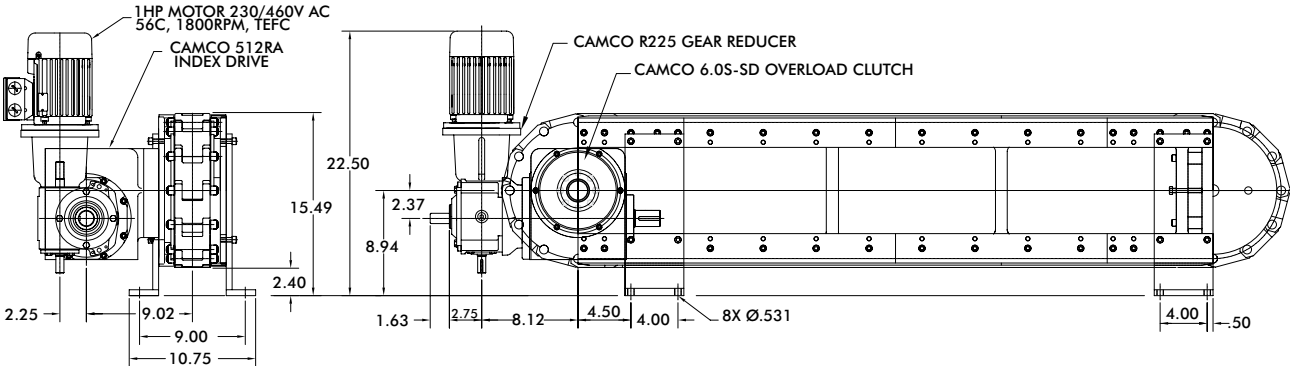
### Shaft Drive Carousel



### Shaft Drive Over/Under



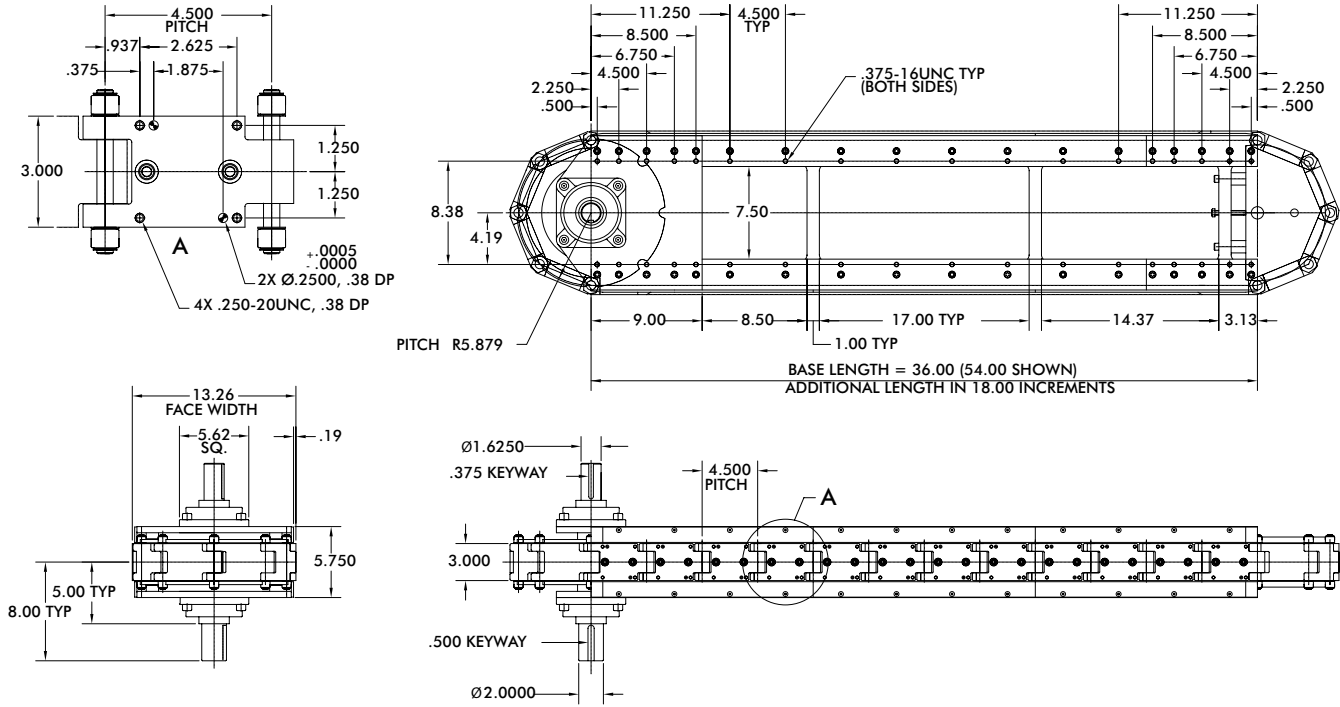
### Direct Drive Over/Under



# 4.5 INCH SERIES

## Table-Top Modular Conveyors | Dimensions and Configurations

### Modular Conveyor (module only)



### Modular Conveyor (drive package)

#### Standard Drive Package

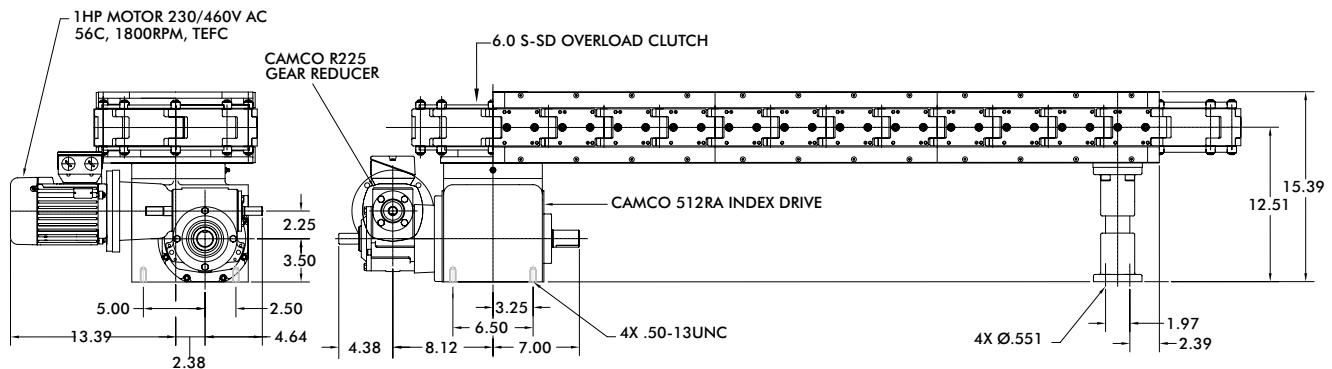
- 512RA Index Drive
- R225 Gear Reducer
- 6.0FC-SD Overload Clutch (Shaft Drive)
- 6.0S-SD Overload Clutch (Direct Drive)
- 1 hp high-cycling, performance AC Motor
- IM-pAC Motor Control

#### Heavy-Duty Drive Package

- 662RA Index Drive
- 7300C Gear Reducer
- 11FC-SD Overload Clutch (Shaft Drive)
- 6.0-SD Overload Clutch (Direct Drive)
- 1 hp high-cycling, performance AC Motor
- IM-pAC Motor Control

Index Distance [in.]	Indexer Stops
4.50	8
9.00	4
18.00	2

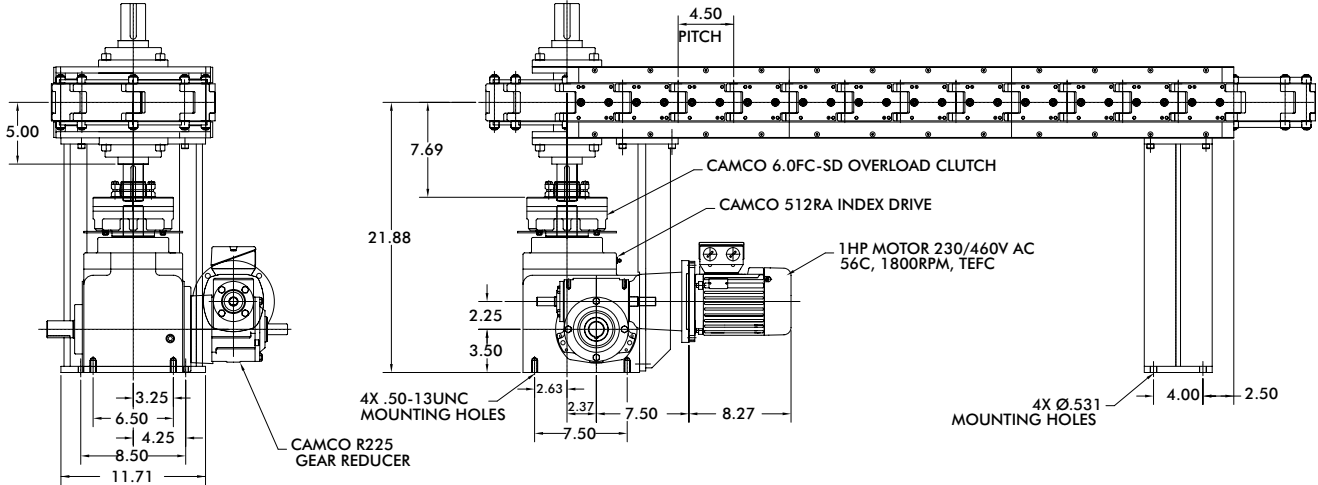
### Direct Drive Carousel



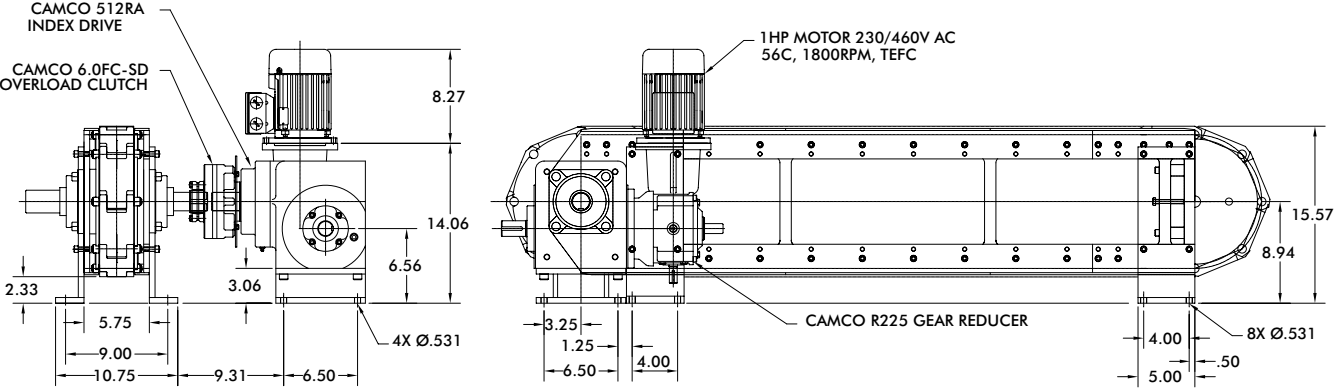
# 4.5 INCH SERIES

## Table-Top Modular Conveyors | Configurations

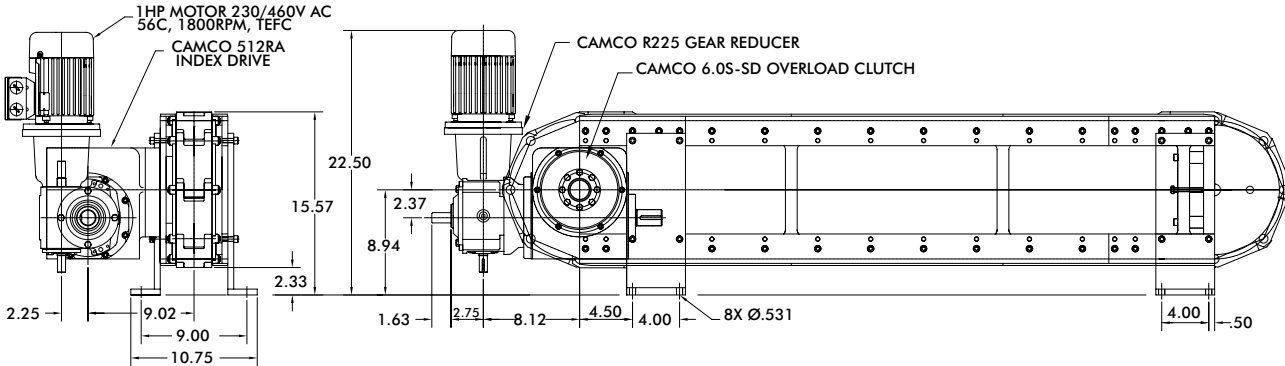
### Shaft Drive Carousel



### Shaft Drive Over/Under



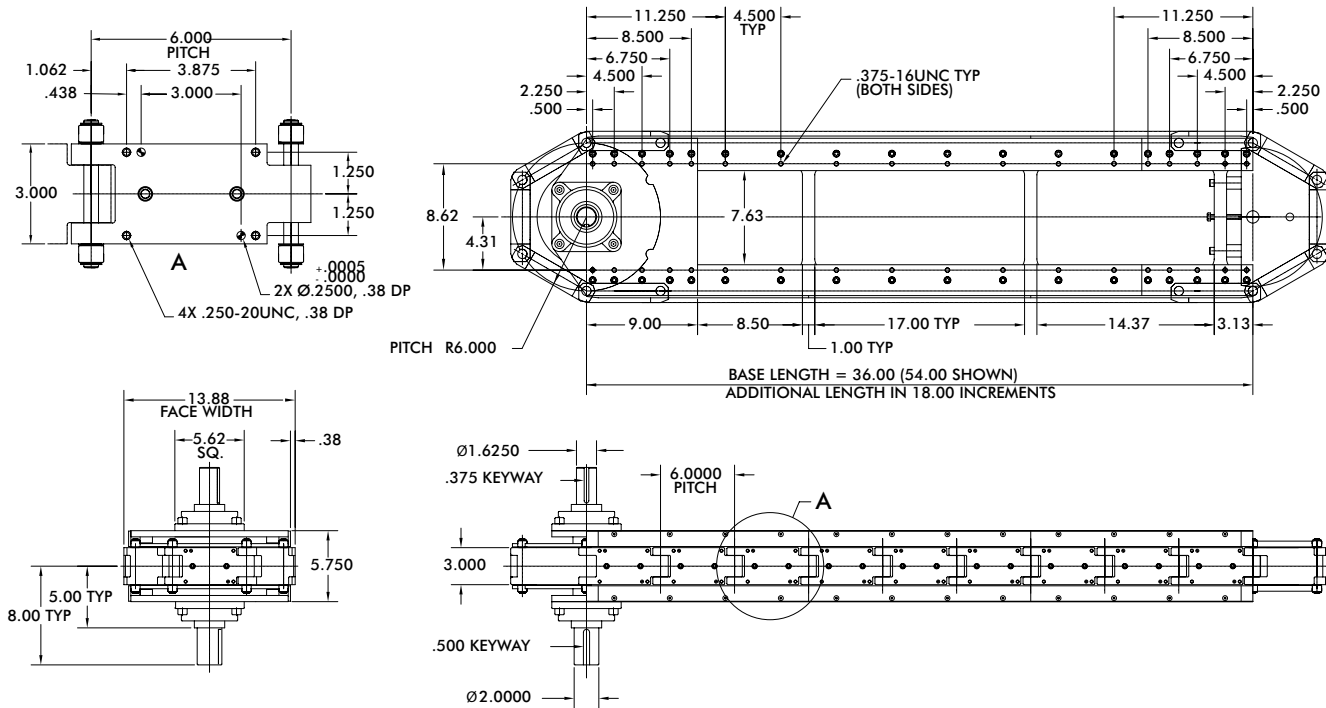
### Direct Drive Over/Under



# 6.0 INCH SERIES

## Table-Top Modular Conveyors | Dimensions and Configurations

### Modular Conveyor (module only)



### Modular Conveyor (drive package)

#### Standard Drive Package

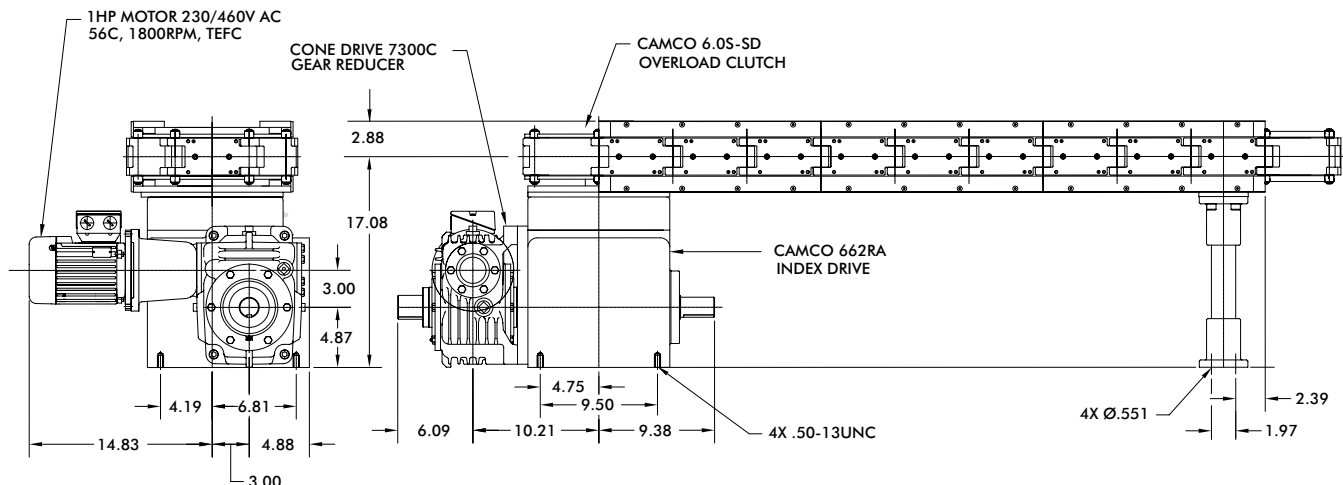
- 662RA Index Drive
- 7300C Gear Reducer
- 11FC-SD Overload Clutch (Shaft Drive)
- 6.0S-SD Overload Clutch (Direct Drive)
- 1 hp high-cycling, performance AC Motor
- IM-pAC Motor Control

#### Heavy-Duty Drive Package

- 800RD Index Drive
- 7300C Gear Reducer
- 25FC-SD Overload Clutch
- 1 hp high-cycling, performance AC Motor
- IM-pAC Motor Control

Index Distance [in.]	Indexer Stops
6.00	6
12.00	3
18.00	2

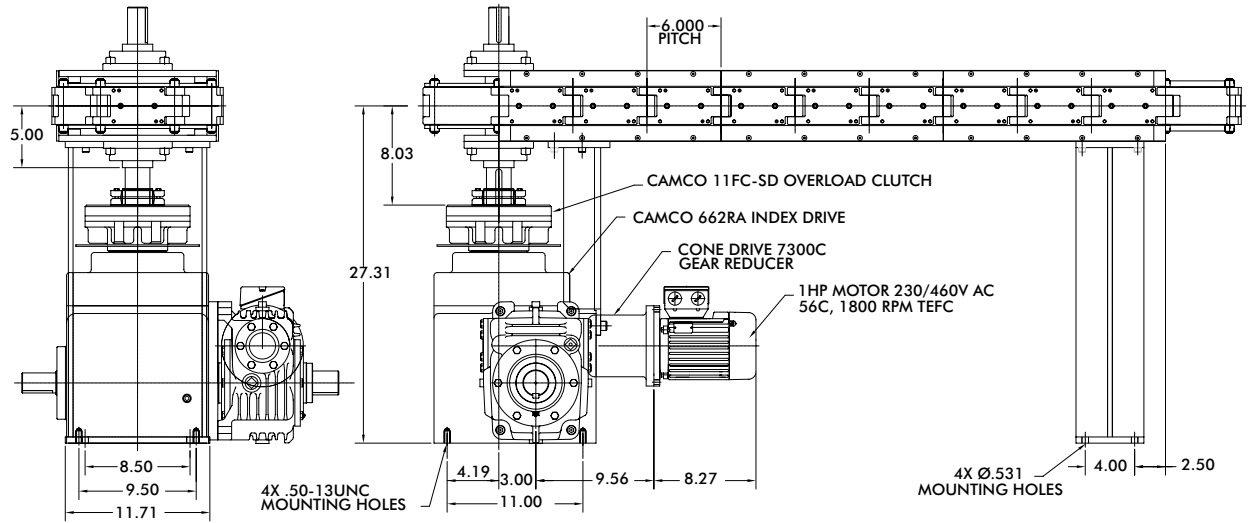
### Direct Drive Carousel



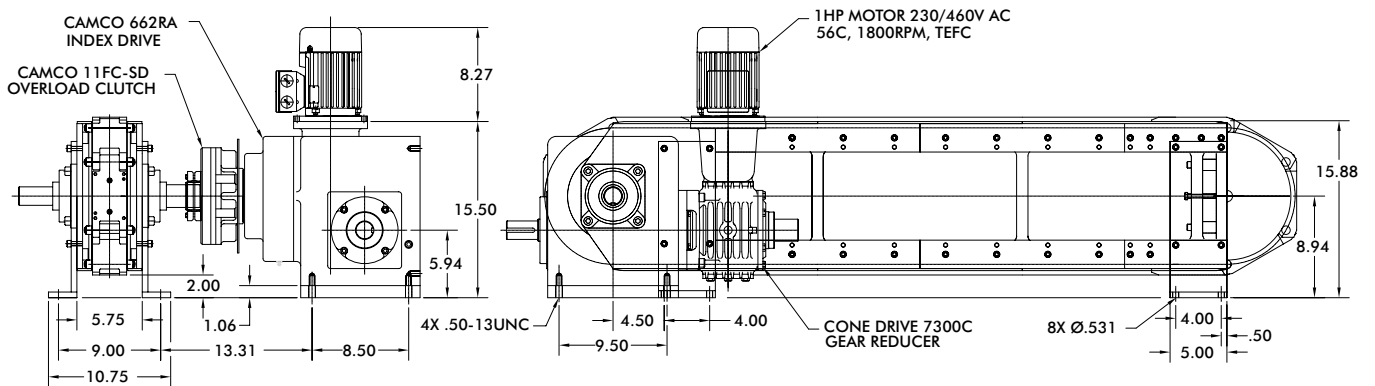
# 6.0 INCH SERIES

## Table-Top Modular Conveyors | Configurations

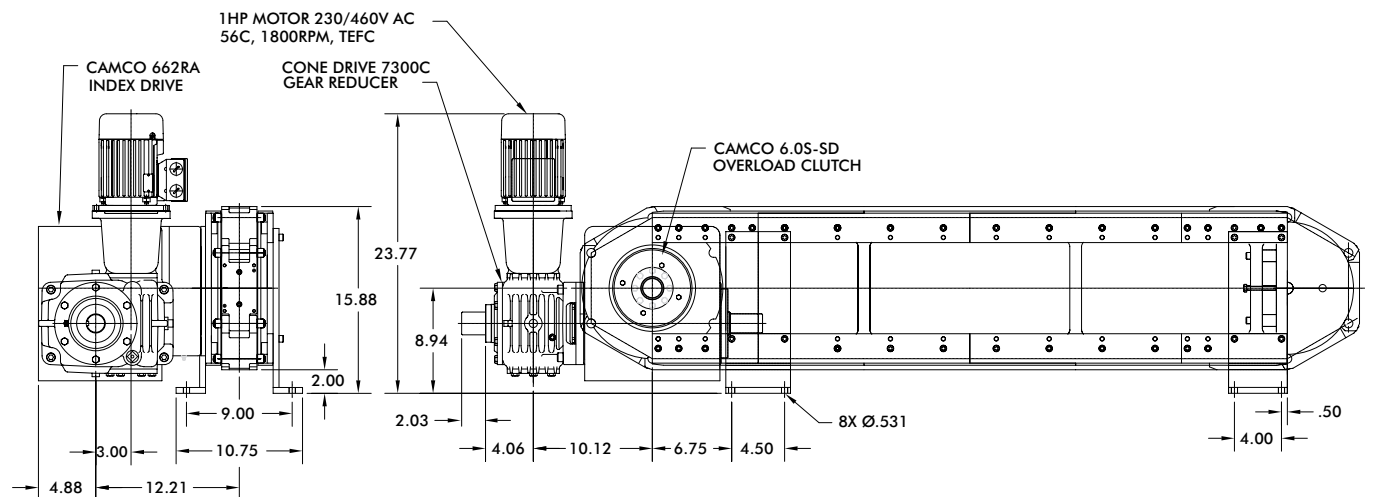
### Shaft Drive Carousel



### Shaft Drive Over/Under



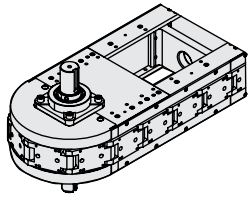
### Direct Drive Over/Under



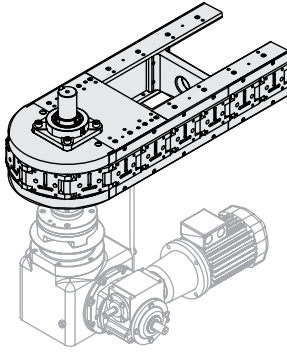


# TABLE-TOP MODULAR CONVEYORS

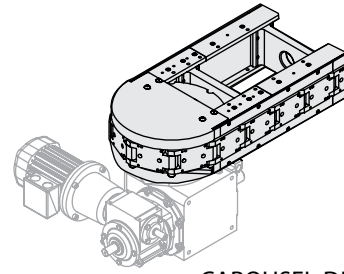
## Conveyor Types



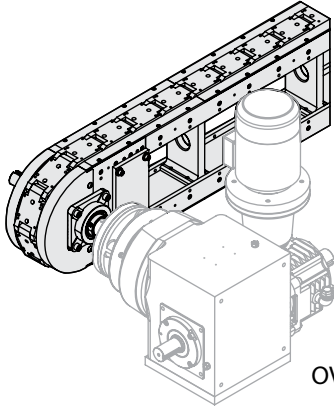
MODULE ONLY



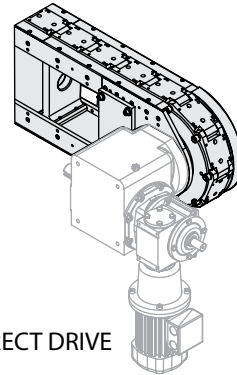
CAROUSEL-SHAFT DRIVEN



CAROUSEL-DIRECT DRIVEN

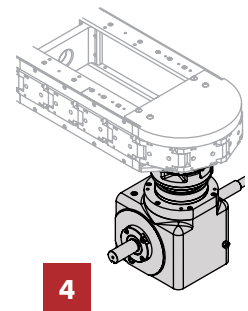
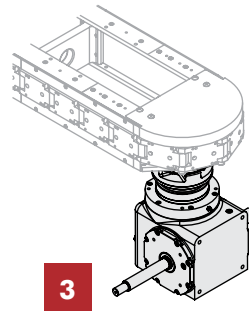
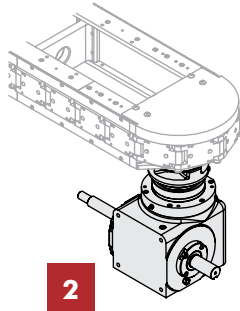
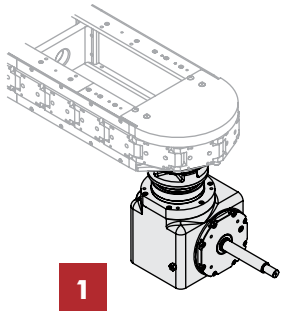


OVER-UNDER SHAFT DRIVEN

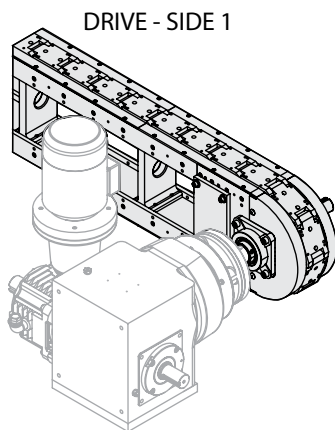


OVER-UNDER DIRECT DRIVE

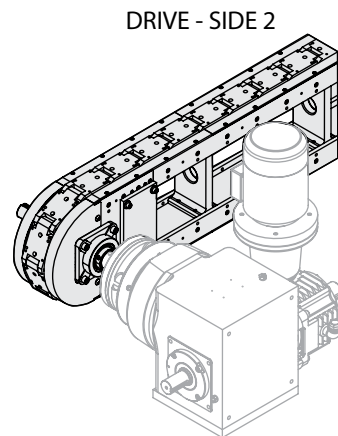
## Carousel Indexer Position



## Over/Under Side



DRIVE - SIDE 1

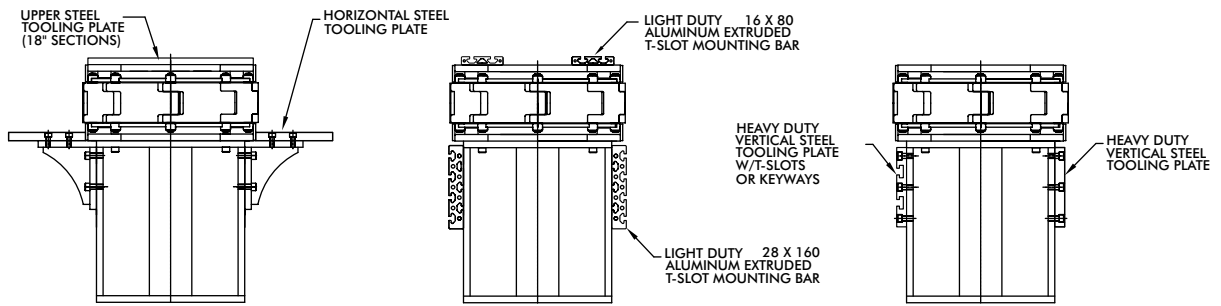


DRIVE - SIDE 2

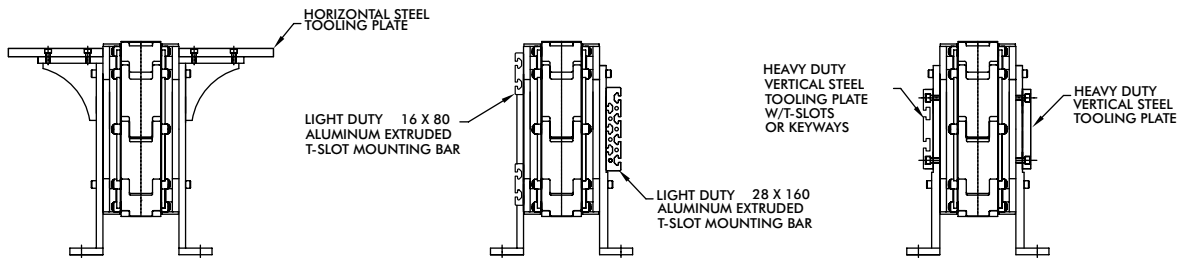
# TABLE-TOP MODULAR CONVEYORS

Options

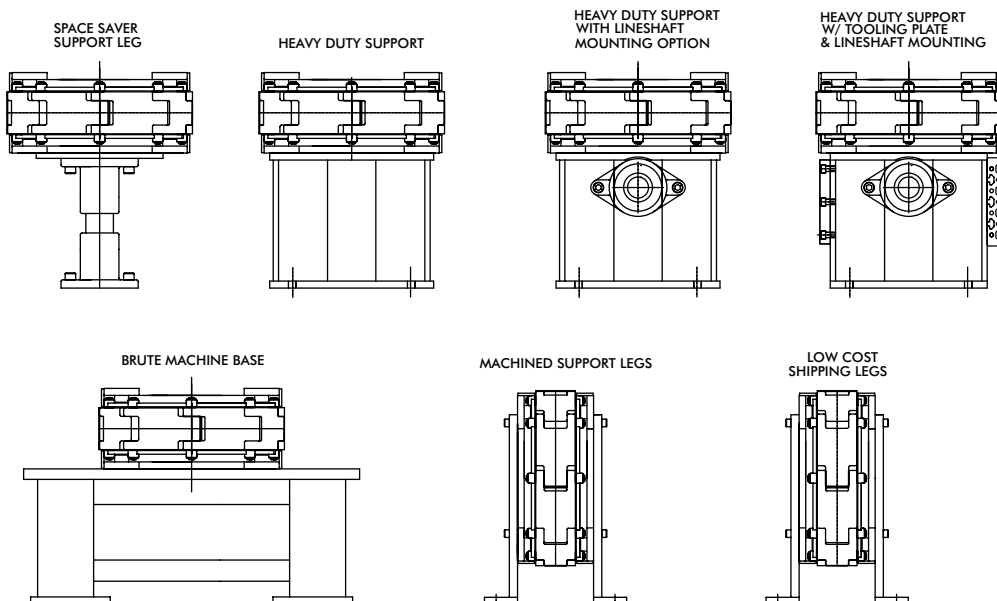
## Tooling Plate Options Carousel



## Tooling Plate Options Over/Under



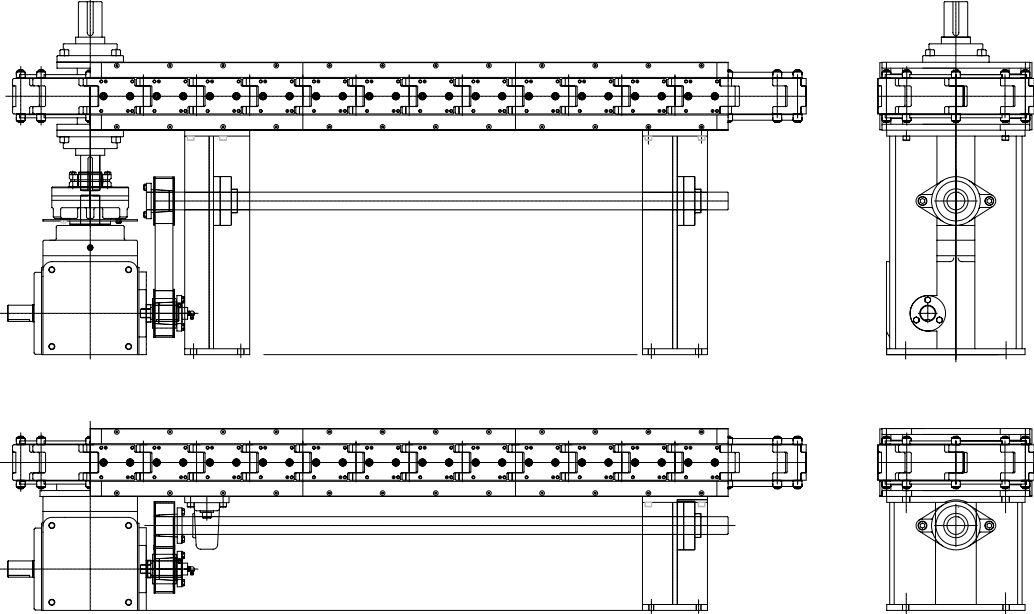
## Support Leg Options



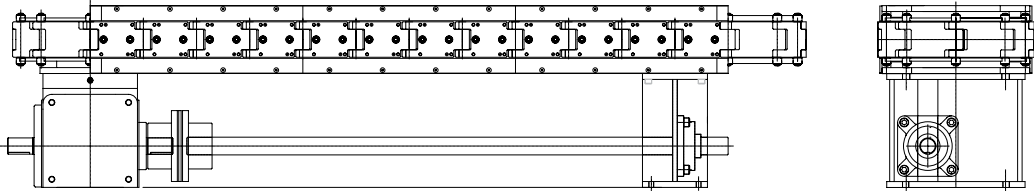
# TABLE-TOP MODULAR CONVEYORS

## Options

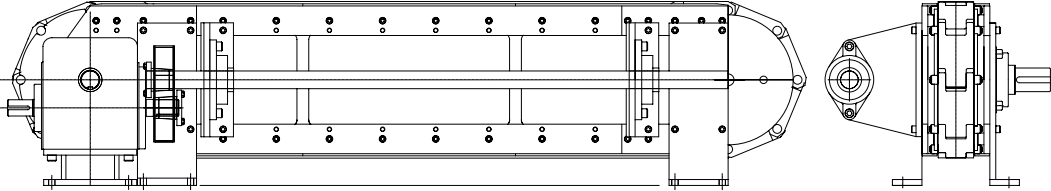
### Lower Lineshaft Options Belt Driven



### Lower Lineshaft Options Direct Driven



### Drive Side Lineshaft Options Belt Driven



### Drive Side Lineshaft Options Direct Driven

