

# 2007 SERIES

## Vertical Hold Down Clamps | Product Overview

### Features:

- Large hand clearance for improved safety
- Bolt pattern interchangeable with 207 Series
- Over two times the holding capacity of 207 Series
- Hardened bushings at key pivot points
- Near vertical clamping contact

### Applications:

- Checking fixtures
- Assembly & test
- Light machining
- Woodworking

### Also Available:

See page MC-ACC-1 for accessories  
Accepts M8 or 5/16 spindle accessories

Covered under one or more U.S./International Patents

**2007-U/USS**  
Flanged Base  
U-Bar



-USS Stainless Steel Model



**2007-U-LS-BLK** ⓘ  
Blackout Series  
Flanged Base  
U-Bar



**2007-S**  
Flanged Base  
Solid Bar



**2007-UB**  
Straight Base  
U-Bar



**2007-UB-LS-BLK** ⓘ  
Blackout Series  
Straight Base  
U-Bar



**2007-SB**  
Straight Base  
Solid Bar



**2007-UR/URSS**  
Flanged Base  
U-Bar  
DESTACO®  
Toggle Lock Plus



-URSS Stainless Steel Model



**2007-SR** ⓘ  
Flanged Base  
Solid Bar  
DESTACO®  
Toggle Lock Plus



**2007-UBR**  
Straight Base  
U-Bar  
DESTACO®  
Toggle Lock Plus



**2007-SBR** ⓘ  
Straight Base  
Solid Bar  
DESTACO®  
Toggle Lock Plus

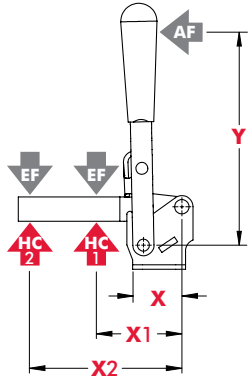


## Technical Information

| Model            | Max. Holding Capacity | Clamp Bar Opening (+10°) | Handle Opening (+10°) | Weight              | Accessories (Supplied) |                  |                 |
|------------------|-----------------------|--------------------------|-----------------------|---------------------|------------------------|------------------|-----------------|
|                  |                       |                          |                       |                     | Bolt Retainer          | Spindle Assembly | Flanged Washers |
| 2007-U           | 4450 N<br>[1000 lbf]  | 76°                      | 64°                   | 0,54kg<br>[1.20lbs] | --                     | 2007208-M        | 507107          |
| 2007-USS         |                       |                          |                       |                     | --                     | 207943-M         | 507907          |
| 2007-U-LS-BLK ⓘ  |                       |                          |                       |                     | --                     | --               | 507107-BLK      |
| 2007-S           |                       |                          |                       |                     | 2007115-E              | --               | --              |
| 2007-UB          |                       |                          |                       |                     | --                     | 2007208-M        | 507107          |
| 2007-UB-LS-BLK ⓘ |                       |                          |                       |                     | --                     | --               | 507107-BLK      |
| 2007-SB          |                       |                          |                       |                     | 2007115-E              | --               | --              |
| 2007-UR          |                       |                          |                       |                     | --                     | 2007208-M        | 507107          |
| 2007-URSS        |                       |                          |                       |                     | --                     | 207943-M         | 507907          |
| 2007-SR ⓘ        |                       |                          |                       |                     | 2007115-E              | --               | --              |
| 2007-UBR         | --                    | 2007208-M                | 507107                |                     |                        |                  |                 |
| 2007-SBR ⓘ       | 2007115-E             | --                       | --                    |                     |                        |                  |                 |

ⓘ This item is available upon request

## Vertical Hold Down Clamps | Holding Capacities

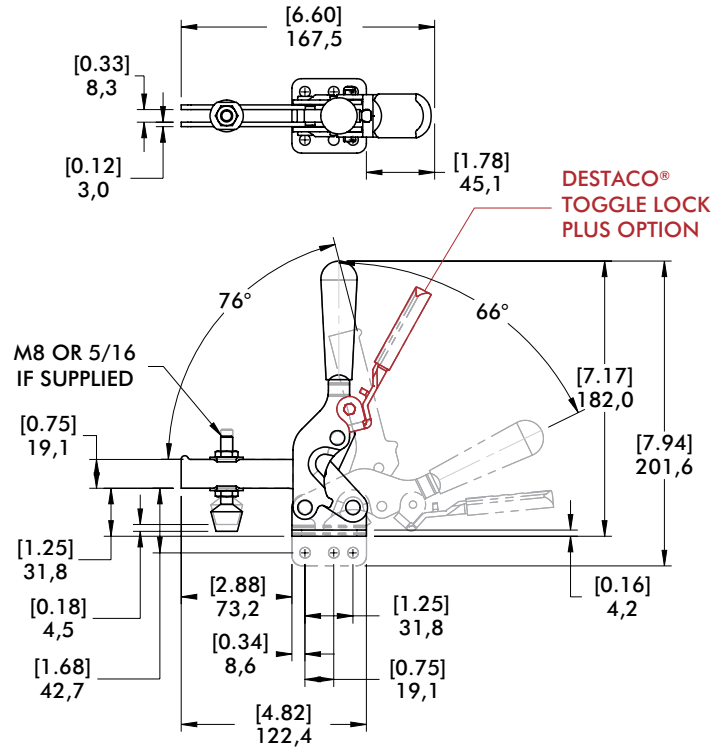
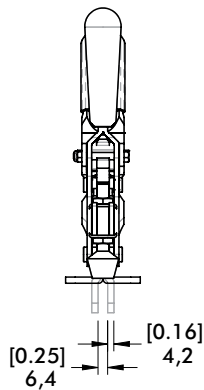


| Model    | X              | X1             | X2             | Y             | ±HC1                | ±HC2               | ±EF(X1):AF | ±EF(X2):AF |
|----------|----------------|----------------|----------------|---------------|---------------------|--------------------|------------|------------|
| 2007-( ) | [1.59]<br>40,5 | [1.95]<br>49,5 | [3.92]<br>99,5 | [5.16]<br>131 | [1000lbf.]<br>4450N | [470lbf.]<br>2090N | 10:1       | 5.3:1      |

Dimensions shown "mm [inch]" ± HC = Holding Capacity, EF = Exerting Force, AF = Applied Force  
See page MC-TEC-4 for additional information.

## Dimensions | -U/-USS/-S/-UB/-SB/-UR/-URSS/-SR/-UBR/-SBR

### 2007-U Flanged Base U-Bar



### 2007-SB Straight Base Solid Bar

