

Features:

- Heavy duty cast steel clamps are designed to withstand the harshest environments
- Ideally suit for parting line clamping of rotational molds
- Replaceable stainless steel pivot pins

Applications:

- Molding
- Closures for doors, lids, covers

Also Available:

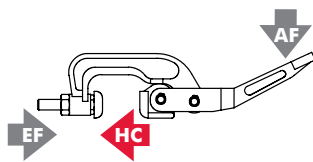
- Keeper plate
- PAPERED bolt assembly

353-35

353-65

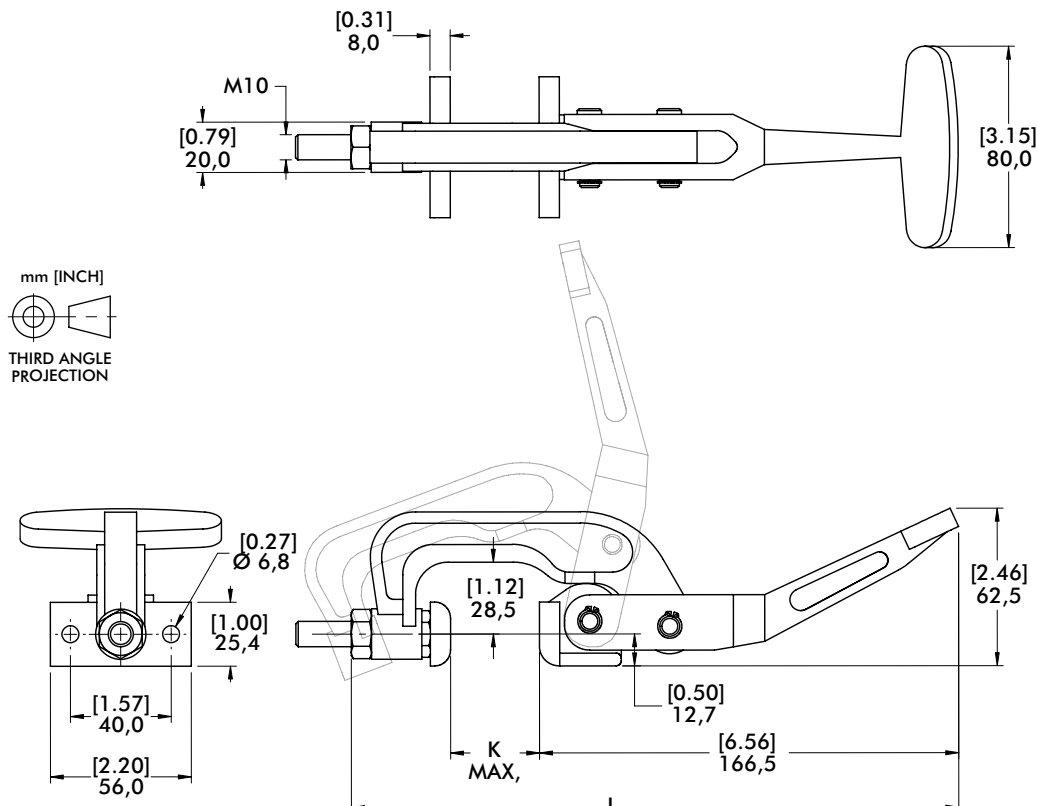


Technical Information | Holding Capacities



| Model | Max. Holding Capacity | Weight | EF:AF | Drawing Movement | L | K | Keeper Plate (included) | Tapered Bolt Assembly (included) |
|--------|-----------------------|--------------------|-------|------------------|------------------|--------------|-------------------------|----------------------------------|
| 353-35 | [2800 lbf] 12460 N | [2.10lb] 0,95kg | 23:1 | 12 [0.47] | [9.50] 241,5 | [1.38] 35 | 353004 | 353908 |
| 353-65 | [2100 lbf] 9350 N | [2.30lb] 1,04kg | 27:1 | | [10.69] 271,5 | [2.56] 65 | 353004 | |

EF = Exerting Force, AF = Applied Force



325 SERIES

Squeeze Action Plier Clamps | Product Overview

Features:

- Designed for attachment by welding or using mounting holes
- Available in stainless steel as **-SS** version

Applications:

- Molding
- Closures for doors, lids, covers

Also Available:

See page MC-ACC-1 for accessories

325,
325-SS



Technical Information | Holding Capacities

| Model | Max. Holding Capacity | Weight | Jaw Opening | Spindle (Supplied) |
|--------|-----------------------|-----------------|-------------|--------------------|
| 325 | 3560 N [800 lbf] | 0,54kg [1.18lb] | 90° | 325203-M |
| 325-SS | | | | 325943-M |

Dimensions

