

# 84A3-3 SERIES (FIXED LOWER JAW)

Cam Type Sheet Metal Grippers | Ordering Information

**Fixed Lower & 90° Jaw**

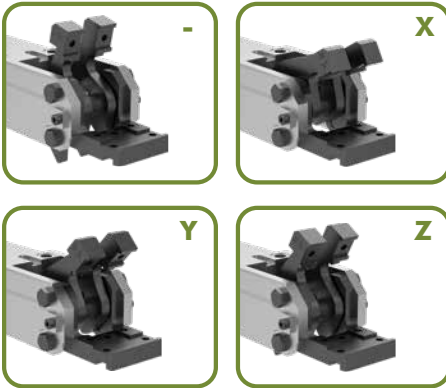
**Sensors, Gripper Teeth & Mounting** (See next page)

**84A3** - **31** **D5** **S** **SF** **SB** - **T** | **High Temperature**

## Jaw Opening Options

Description

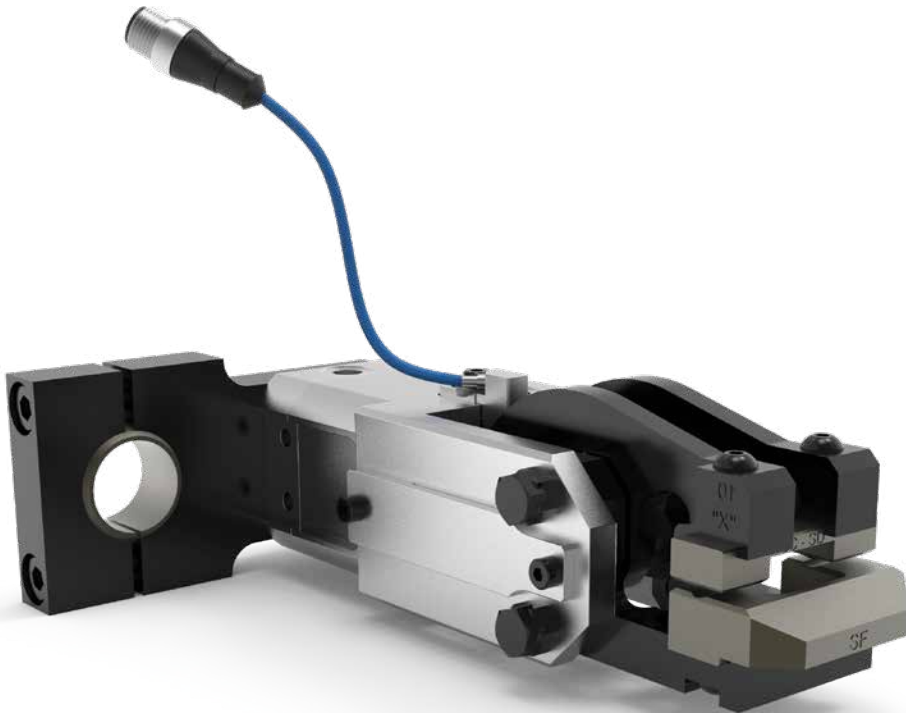
- 76° Jaw Opening (Standard)
- X 30° Jaw Opening
- Y 45° Jaw Opening
- Z 60° Jaw Opening



## Jaw Arrangement Options

Description

- 30 Double Upper, Straight Design, Drop Jaw
- 31 Double Upper, Straight Design
- 32 Double Upper, 90° Design
- 34 Single Upper, Right, Straight Design
- 35 Double Upper, Narrow Jaw, Straight Design
- 36 Double Upper, Extended Jaw
- 37 Double Upper, 90° Design
- 38 Double Upper, Narrow Jaw, 90° Design
- 39 Single Upper, Left, Straight Design



Specifications	Unit	
Piston	mm	32
Actuation Time (open/close)	sec	0,2
Air Consumption per Double Stroke at 5 bar	L	0,4

# 84A3-3 SERIES (FIXED LOWER JAW)

Cam Type Sheet Metal Grippers | Ordering Information

## Gripper Teeth, Points and Crown Options (Upper and Lower)

### Steel Teeth

- 00** None
- AA** 14,9x21x12mm - 8JZ-014-3
- AH** 14,9x14x14mm - 8JZ-001-1
- AL** 14,9x14,9x9,8mm - 8JZ-003-1
- AC** 14,9x14x12mm - 8JZ-043-1
- AG** 14,9x14x12mm - 8JZ-050-1
- BK** 14,9x21x11mm - 8JZ-066-1

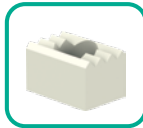


High Temperature  
**AS** 8JZ-094-1



### Plastic Teeth\*

- 00** None
  - KA** 8JZ-021-1
  - KC** 8JZ-023-1 (Upper)
- \*Not suitable for High Temperature applications



Shims for gripper teeth available  
Order Separately **8SB-003-1**  
Dimensions: 14,8 x 13 x 0,15 mm

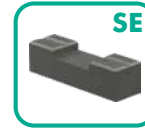
### Steel Points (Upper only)

- 00** None
- PA** 8MJ-1001-1
- PB** 8MJ-1002-1
- PC** 8MJ-1003-1



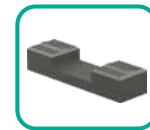
### Crown Teeth - Concave (Lower Only)

- 00** None
- SE** 8JZ-019-1  
(Not for use with A8 and GN Sensor)
- SF** 8JZ-020-3
- SH** 8JZ-048-1



### Crown Teeth - Convex (Upper Only)

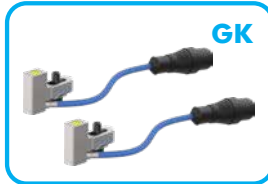
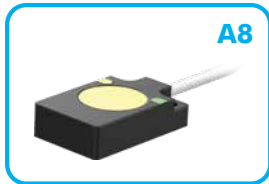
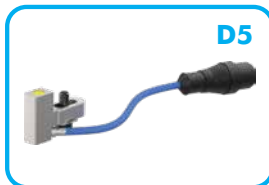
- SB** Mat. = 0,5-1mm - 8JZ-016-2
- SD** Mat. = 1-1,5mm - 8JZ-018-2



## Sensor Options (not suitable for High Temperature applications)

### Description

- 00** None
- KL** Position Control Set, Left for 76° Opening Angle - 8EA-022-4
- KR** Position Control Set, Right for 76° Opening Angle - 8EA-022-4
- A8** Workpiece Control, Switching Distance 7mm  
8EA-092-1 (for 84A3-30/31/32/36)
- D5** Double Sheet Control, M12x1 Plug - 8EA-087-1
- GK** 2X D5
- GN** 1X A8 + 1X D5 (for 84A3-30/31/32/36 only)



Shims for Sensor A8 available  
Order Separately **8MB-003-1**



Cable support for Sensing Systems **A8**  
Order Separately **8MA-175-1**  
Mounted on lower side of gripper (for 84A3-31/36 only)

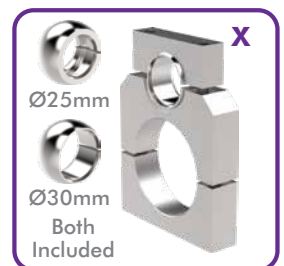
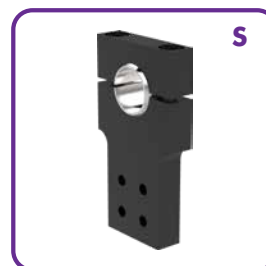


Cover for Sensing Systems **D5, GK, GN**  
Order Separately **82ZB-185-1**

## Mounting Options

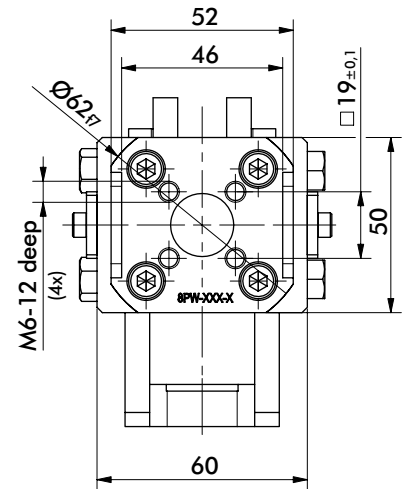
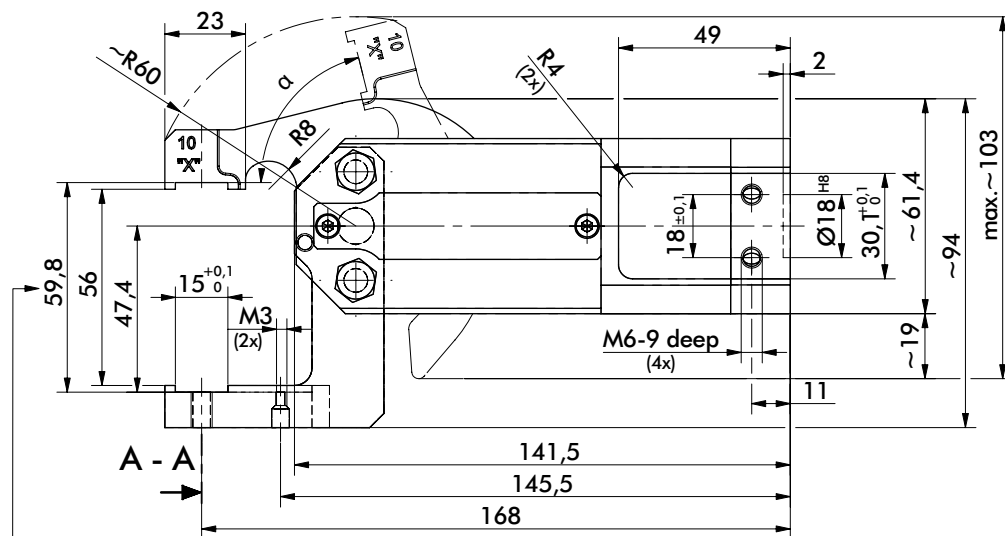
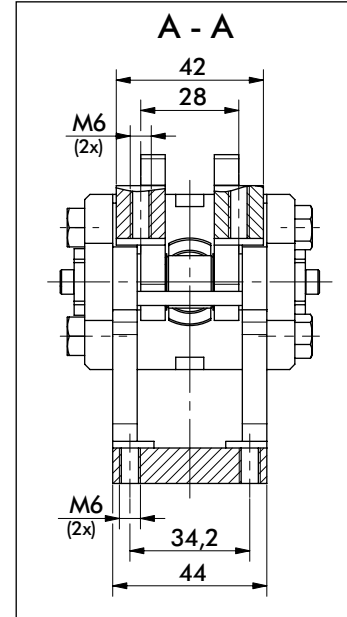
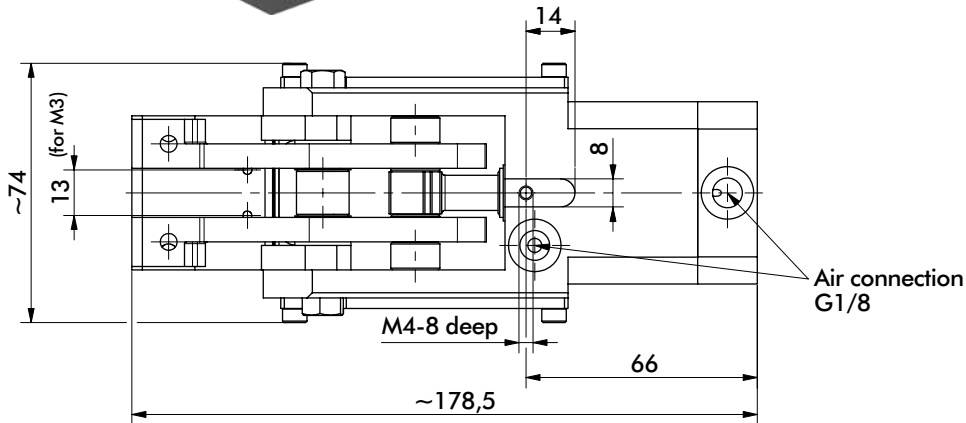
### Description

- 0** None
- A** Rear Flange - 8MA-006-1
- 3** Rear Flange - 8MA-273-1
- R** Guards - 8MH-046-1  
(for 84A3-31/34/35/39 only)
- S** Rear Swivel Ball - 82ZB-007-1
- X** On-Body Swivel Ball  
82ZB-033-2



# 84A3.30 SERIES (FIXED LOWER JAW)

Cam Type Sheet Metal Grippers | Dimensions and Technical Specifications



Addition of gripper teeth height and thickness of the clamped plate must be 59,8 mm. It might be necessary to use shim plates or to grind off the gripper teeth.

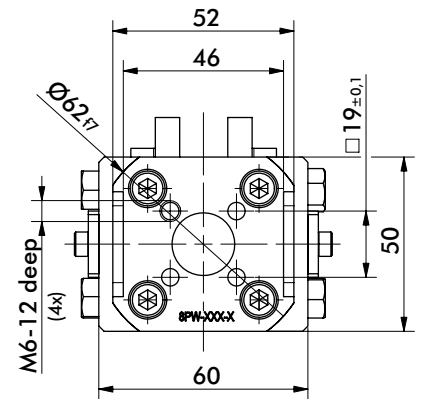
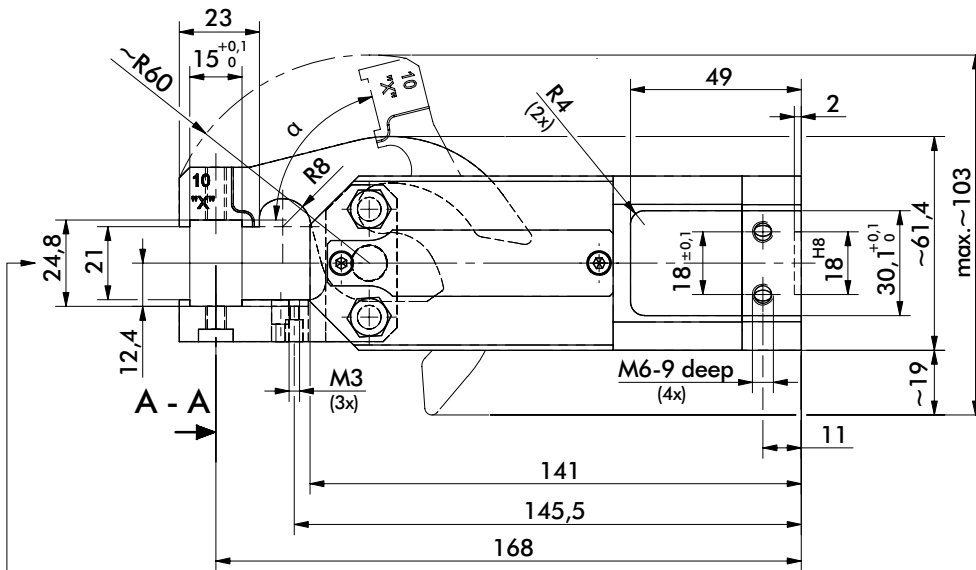
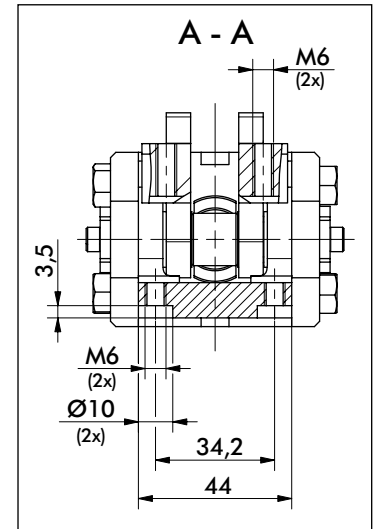
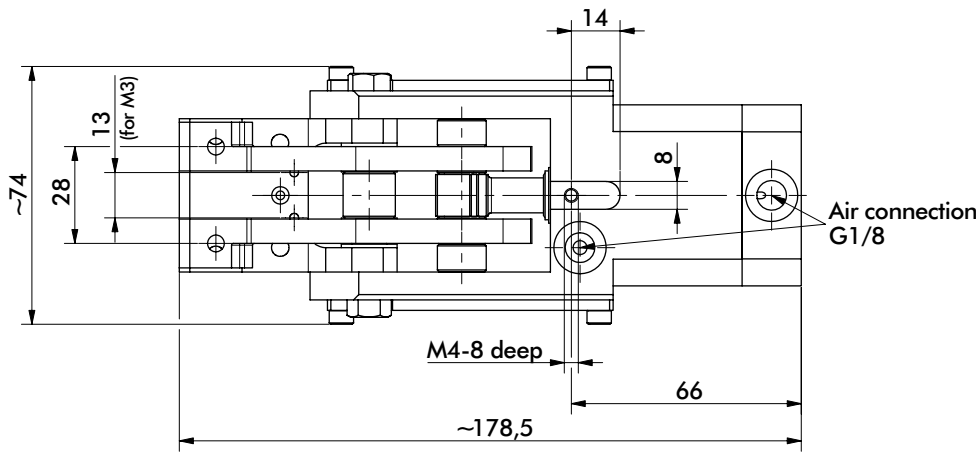
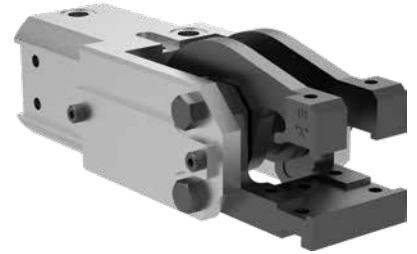
Medium air, max. 6 bar. Operation with oil-free air is permissible.

NOTE! Any extension of the moveable or fixed gripper jaws as well as the additional attachment of weights will void warrantee.

Model 84A3.30	Opening Angle $\alpha$	Clamping force at 5 bar ~N [lbs]	Weight Kg [lbs]
-	76°	1500 [337]	1,4 [3.09]
X	30°		
Y	45°		
Z	60°		

# 84A3.31 SERIES (FIXED LOWER JAW)

## Cam Type Sheet Metal Grippers | Dimensions and Technical Specifications



Medium air, max. 6 bar. Operation with oil-free air is permissible.

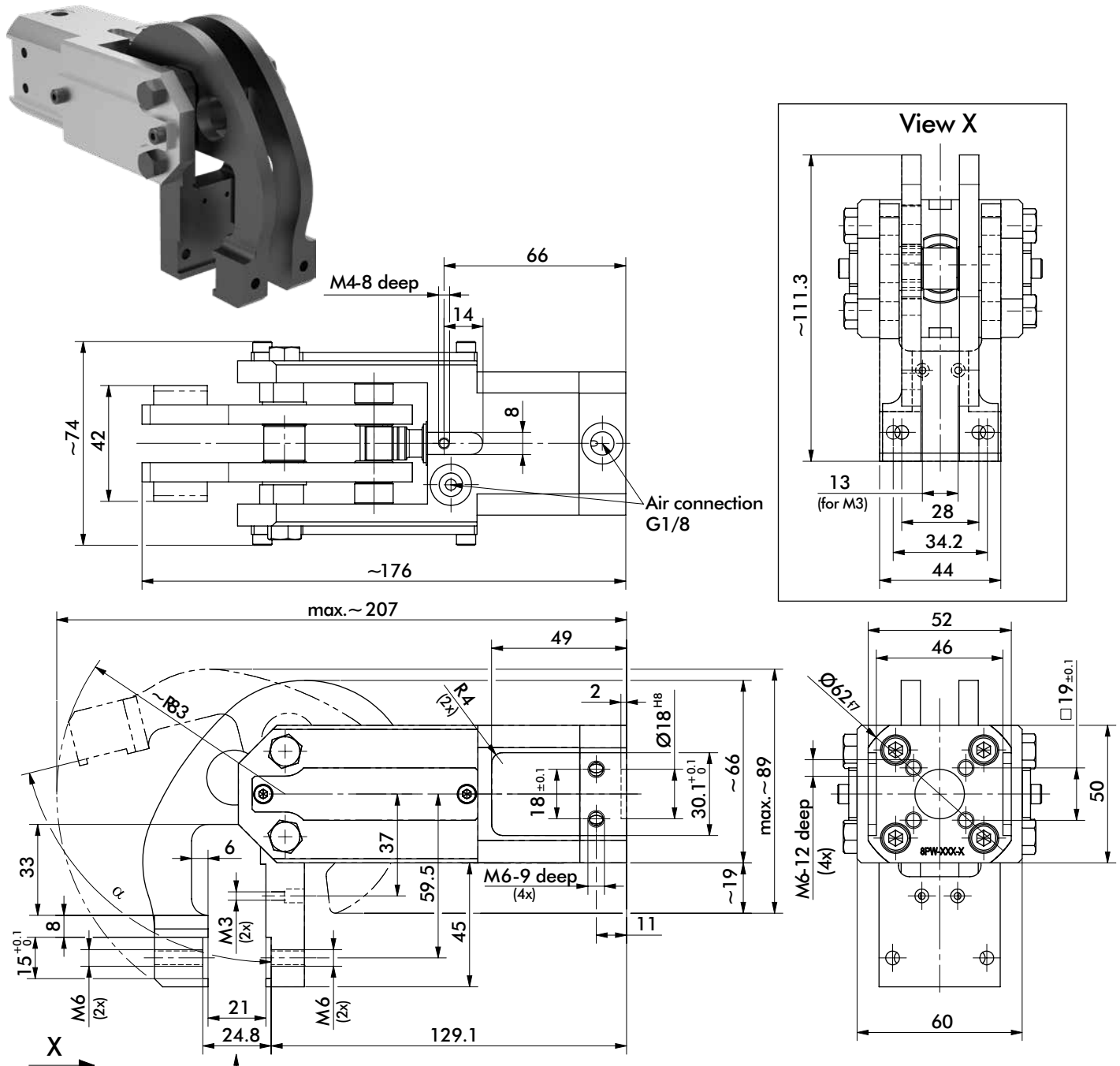
NOTE! Any extension of the moveable or fixed gripper jaws as well as the additional attachment of weights will void warrantee.

Addition of gripper teeth height and thickness of the clamped plate must be 24,8 mm. It might be necessary to use shim plates or to grind off the gripper teeth.

Model 84A3.31	Opening Angle $\alpha$	Clamping force at 5 bar ~N [lbs]	Weight Kg [lbs]
-	76°	1500 [337]	1,3 [2.87]
X	30°		
Y	45°		
Z	60°		

# 84A3.32 SERIES (FIXED LOWER JAW)

## Cam Type Sheet Metal Grippers | Dimensions and Technical Specifications



Addition of gripper teeth height and thickness of the clamped plate must be 24,8 mm. It might be necessary to use shim plates or to grind off the gripper teeth.

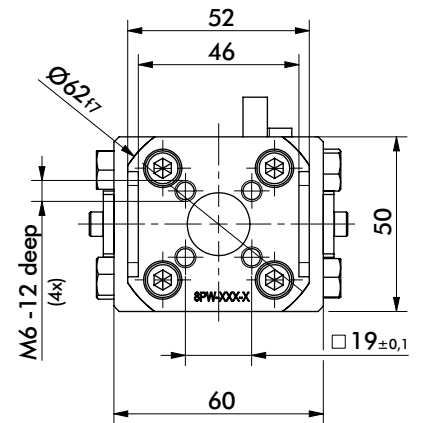
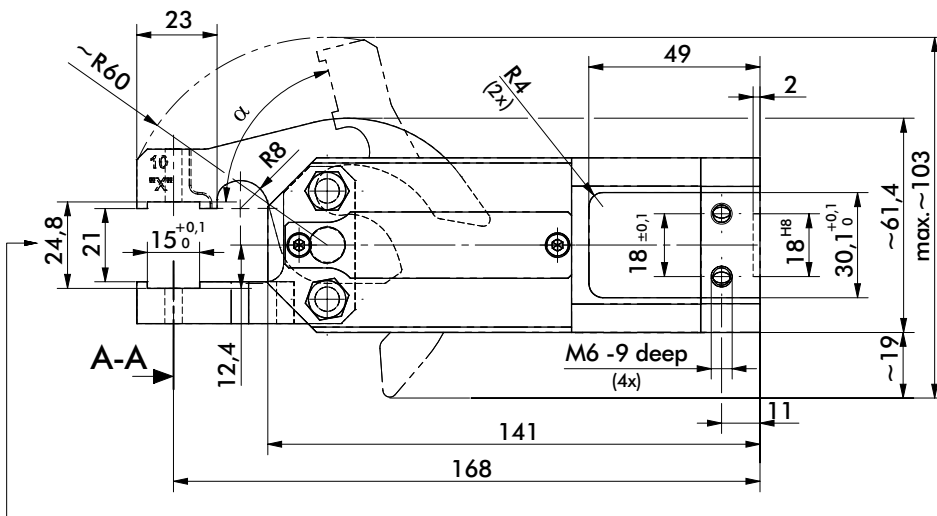
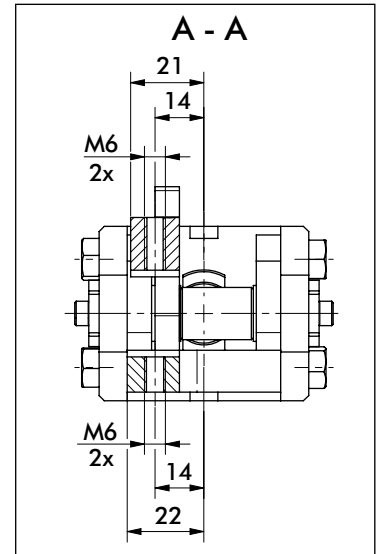
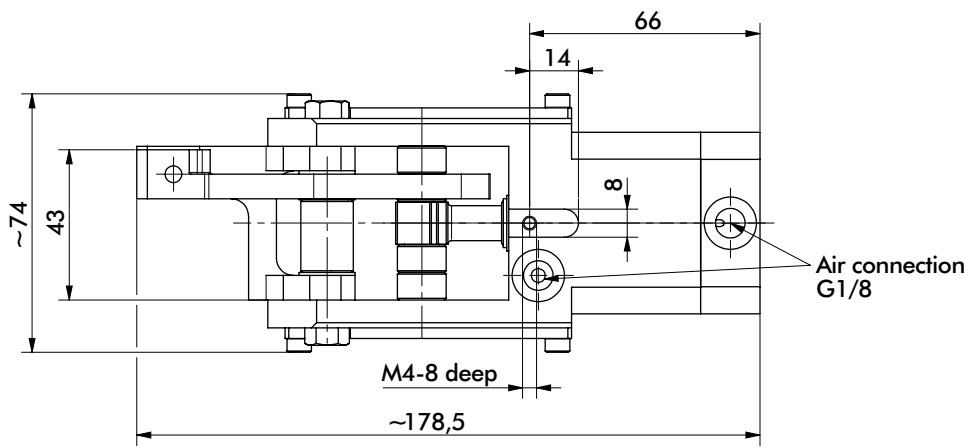
Medium air, max. 6 bar. Operation with oil-free air is permissible.

NOTE! Any extension of the moveable or fixed gripper jaws as well as the additional attachment of weights will void warrantee.

Model 84A3.32	Opening Angle $\alpha$	Clamping force at 5 bar ~N [lbs]	Weight Kg [lbs]
-	76°	950 [214]	1,6 [3.53]
X	30°		
Y	45°		
Z	60°		

# 84A3.34 SERIES (FIXED LOWER JAW)

## Cam Type Sheet Metal Grippers | Dimensions and Technical Specifications



Addition of gripper teeth height and thickness of the clamped plate must be 24,8 mm. It might be necessary to use shim plates or to grind off the gripper teeth.

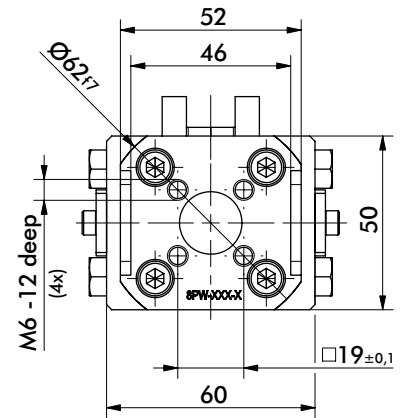
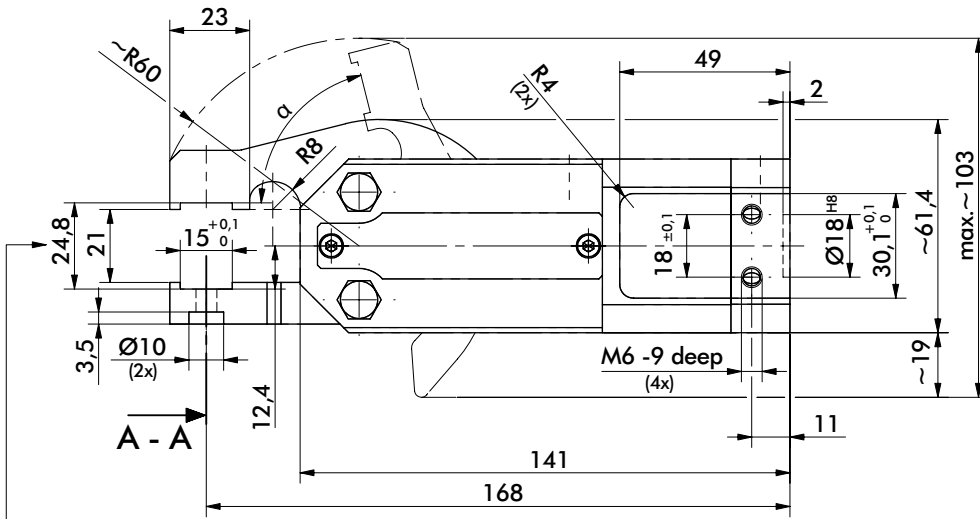
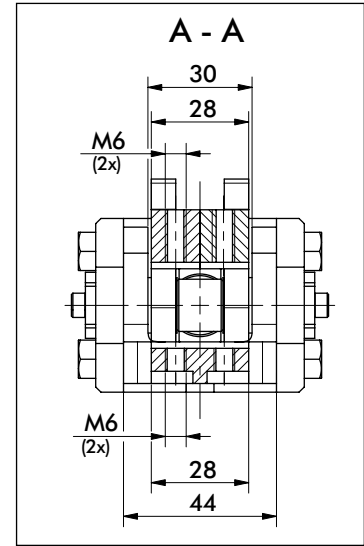
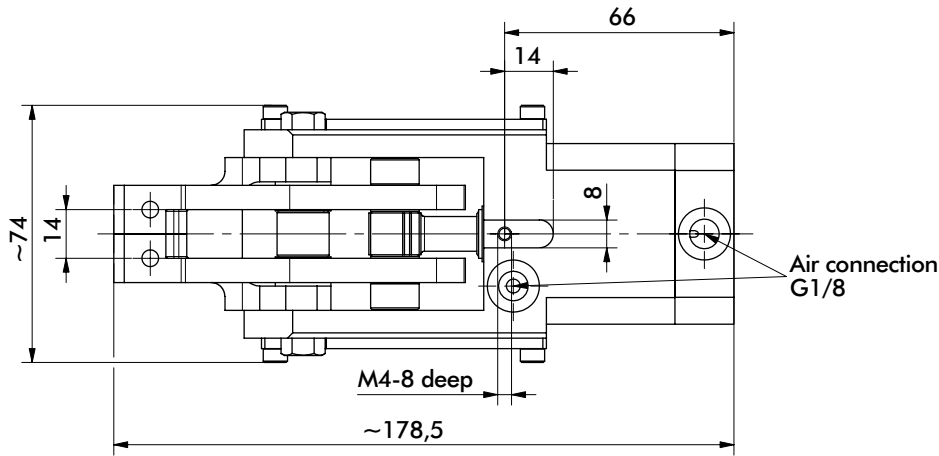
Medium air, max. 6 bar. Operation with oil-free air is permissible.

NOTE! Any extension of the moveable or fixed gripper jaws as well as the additional attachment of weights will void warrantee.

Model 84A3.34	Opening Angle $\alpha$	Clamping force at 5 bar ~N [lbs]	Weight Kg [lbs]
-	76°	1500 [337]	1,3 [2.87]
X	30°		
Y	45°		
Z	60°		

# 84A3.35 SERIES (FIXED LOWER JAW)

Cam Type Sheet Metal Grippers | Dimensions and Technical Specifications



Addition of gripper teeth height and thickness of the clamped plate must be 24,8 mm. It might be necessary to use shim plates or to grind off the gripper teeth.

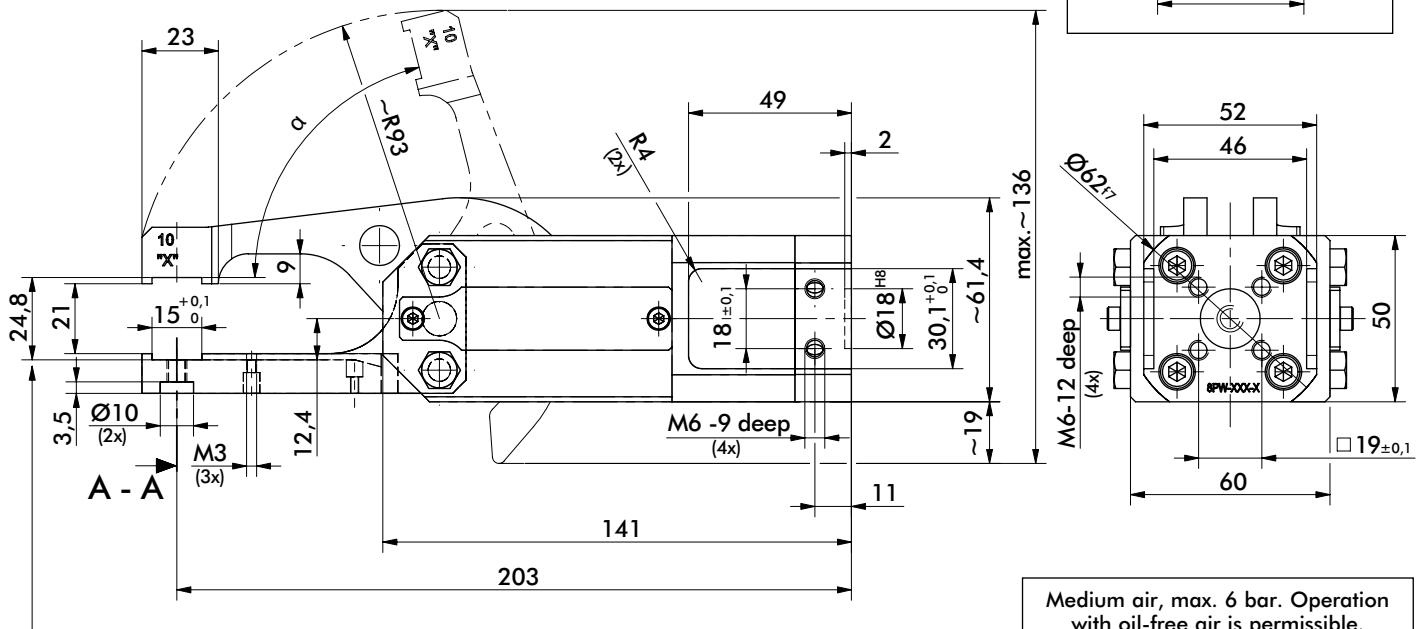
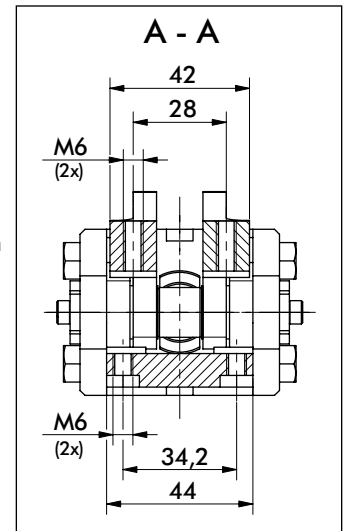
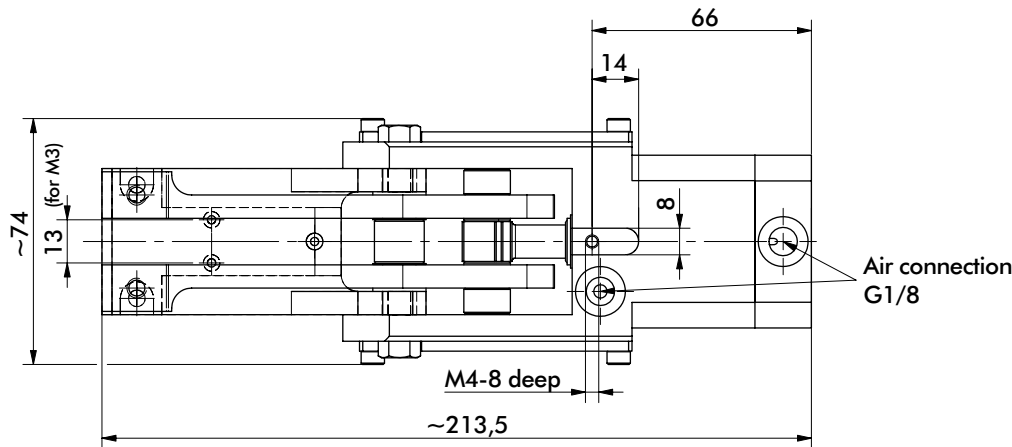
Medium air, max. 6 bar. Operation with oil-free air is permissible.

NOTE! Any extension of the moveable or fixed gripper jaws as well as the additional attachment of weights will void warrantee.

Model 84A3.35	Opening Angle $\alpha$	Clamping force at 5 bar ~N [lbs]	Weight Kg [lbs]
-	76°	1500 [337]	1,3 [2.87]
X	30°		
Y	45°		
Z	60°		

# 84A3.36 SERIES (FIXED LOWER JAW)

## Cam Type Sheet Metal Grippers | Dimensions and Technical Specifications



Medium air, max. 6 bar. Operation with oil-free air is permissible.

Addition of gripper teeth height and thickness of the clamped plate must be 24,8 mm. It might be necessary to use shim plates or to grind off the gripper teeth.

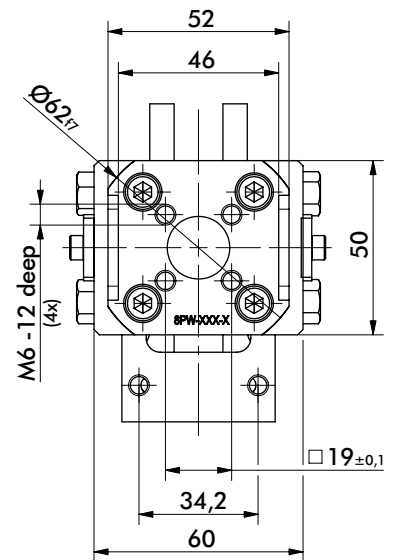
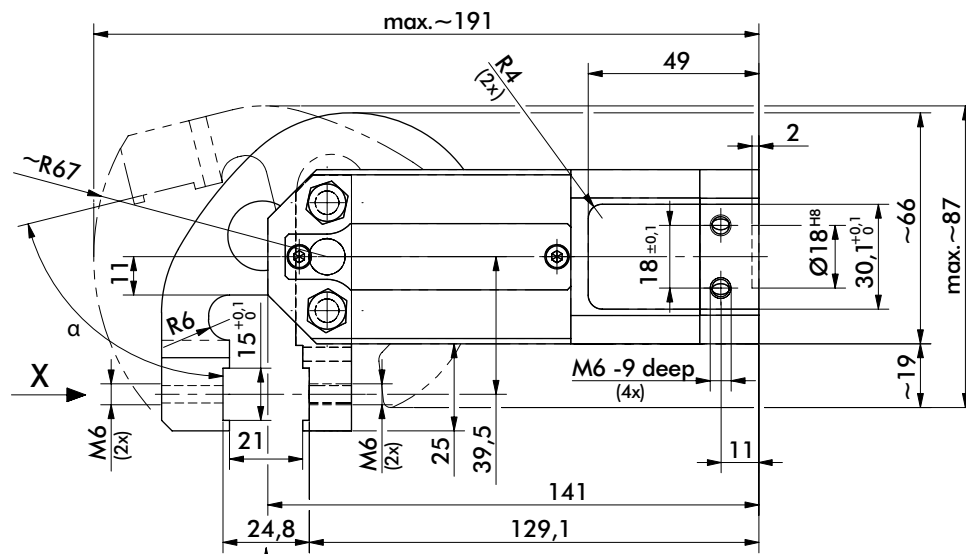
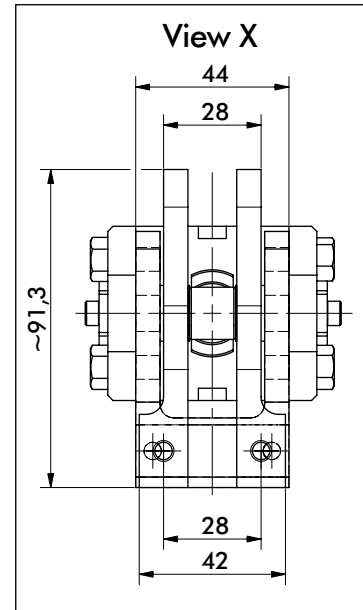
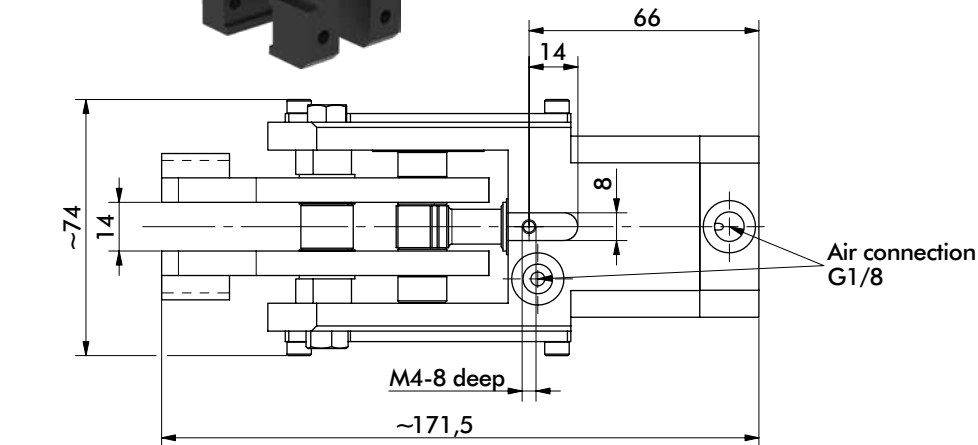
NOTE! Any extension of the moveable or fixed gripper jaws as well as the additional attachment of weights will void warrantee.

Model 84A3.36	Opening Angle $\alpha$	Clamping force at 5 bar ~N [lbs]	Weight Kg [lbs]
-	76°	570 [128]	1,55 [3.42]
X	30°		
Y	45°		
Z	60°		



# 84A3.37 SERIES (FIXED LOWER JAW)

Cam Type Sheet Metal Grippers | Dimensions and Technical Specifications



Addition of gripper teeth height and thickness of the clamped plate must be 24,8 mm. It might be necessary to use shim plates or to grind off the gripper teeth.

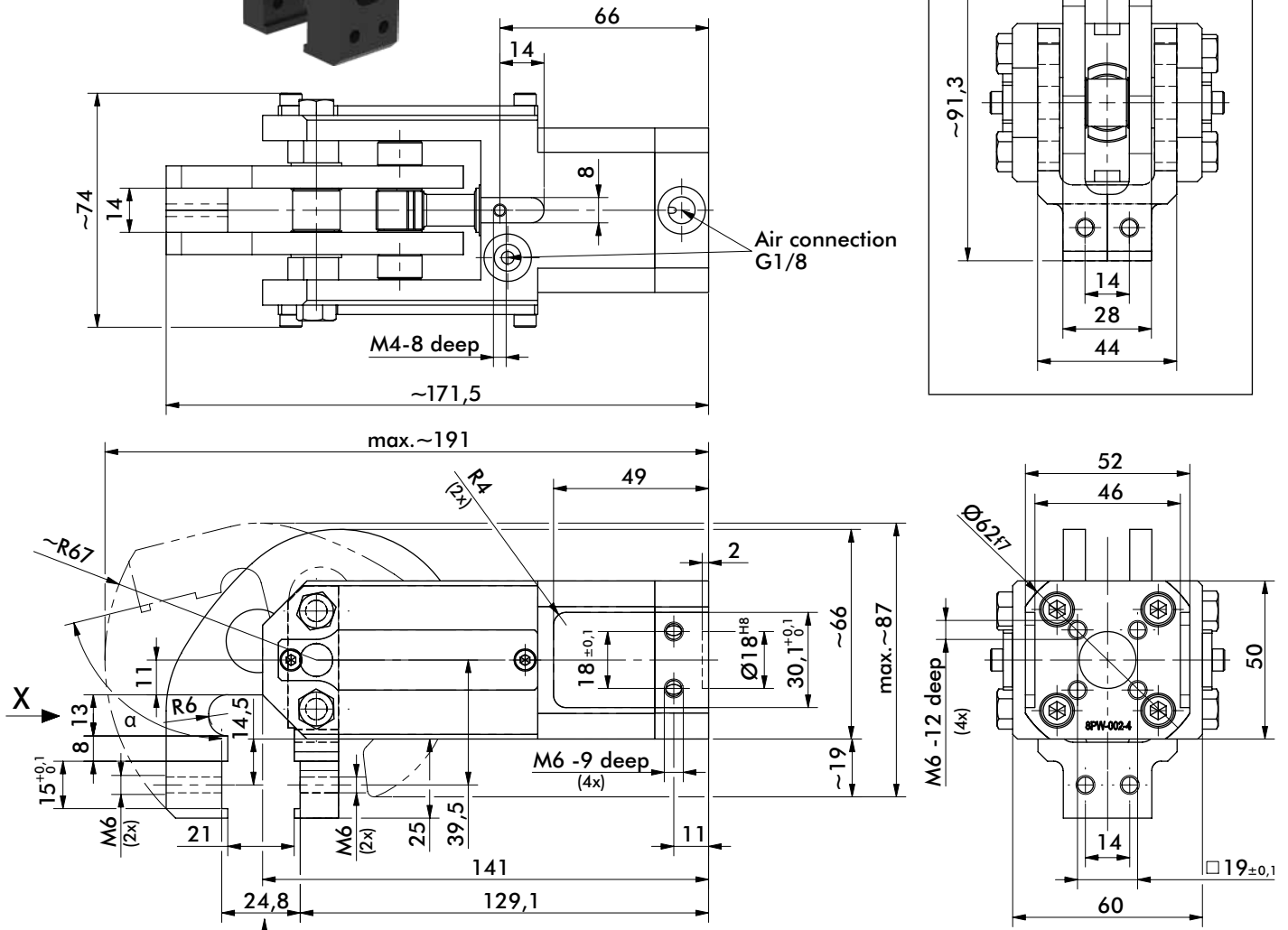
Medium air, max. 6 bar. Operation with oil-free air is permissible.

NOTE! Any extension of the moveable or fixed gripper jaws as well as the additional attachment of weights will void warrantee.

Model 84A3.37	Opening Angle $\alpha$	Clamping force at 5 bar ~N [lbs]	Weight Kg [lbs]
-	76°	1600 [360]	1,45 [3.20]
X	30°		
Y	45°		
Z	60°		

# 84A3.38 SERIES (FIXED LOWER JAW)

Cam Type Sheet Metal Grippers | Dimensions and Technical Specifications



Addition of gripper teeth height and thickness of the clamped plate must be 24,8 mm. It might be necessary to use shim plates or to grind off the gripper teeth.

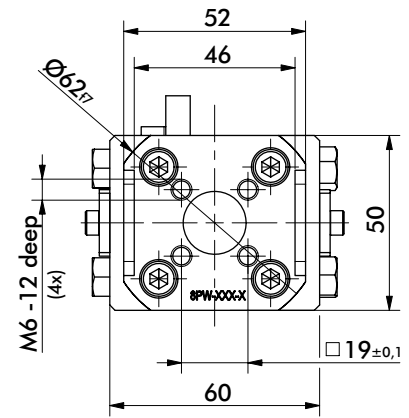
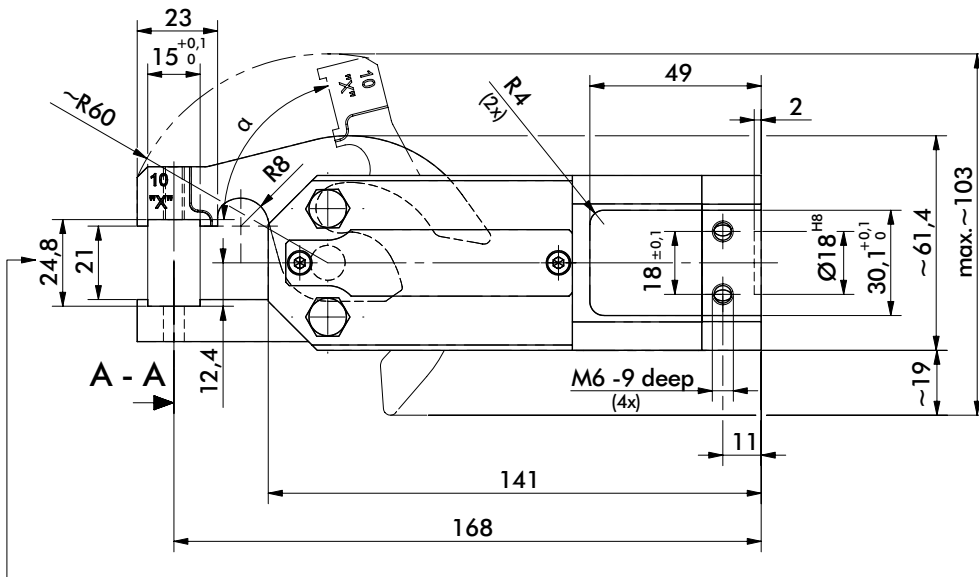
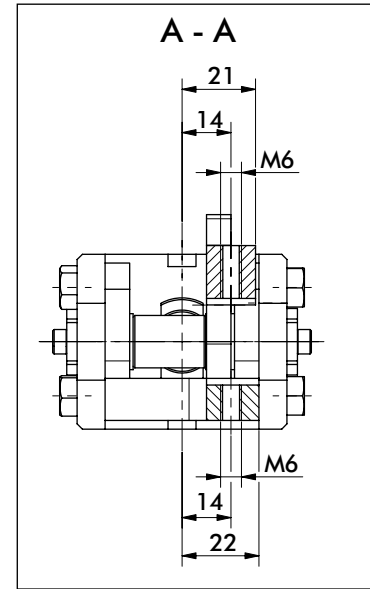
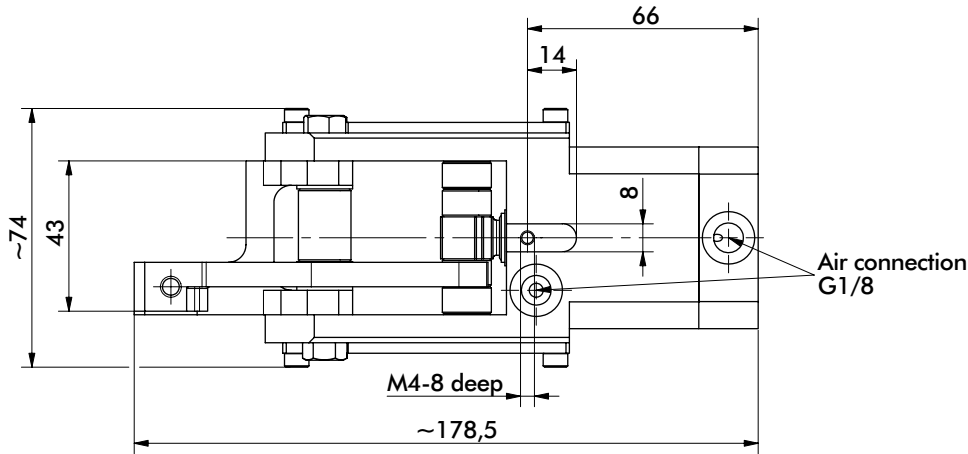
Medium air, max. 6 bar. Operation with oil-free air is permissible.

NOTE! Any extension of the moveable or fixed gripper jaws as well as the additional attachment of weights will void warrantee.

Model 84A3.38	Opening Angle $\alpha$	Clamping force at 5 bar ~N [lbs]	Weight Kg [lbs]
-	76°	1600 [360]	1,4 [3.09]
X	30°		
Y	45°		
Z	60°		

# 84A3.39 SERIES (FIXED LOWER JAW)

## Cam Type Sheet Metal Grippers | Dimensions and Technical Specifications



Addition of gripper teeth height and thickness of the clamped plate must be 24,8 mm. It might be necessary to use shim plates or to grind off the gripper teeth.

Medium air, max. 6 bar. Operation with oil-free air is permissible.

NOTE! Any extension of the moveable or fixed gripper jaws as well as the additional attachment of weights will void warrantee.

Model 84A3.39	Opening Angle $\alpha$	Clamping force at 5 bar ~N [lbs]	Weight Kg [lbs]
-	76°	1500 [337]	1,3 [2.87]
X	30°		
Y	45°		
Z	60°		



# 84A3-3 SERIES (MOVEABLE LOWER JAWS)

Cam Type Sheet Metal Grippers | Ordering Information

## Moveable Lower Jaw

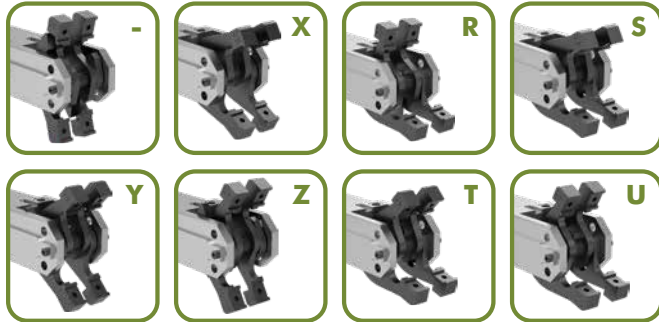
## Sensors, Gripper Teeth & Mounting (See next page)

**84A3** **X** **33** **00** **A** **AL** **AL** - **T** • High Temperature

### Jaw Opening Options

#### Description

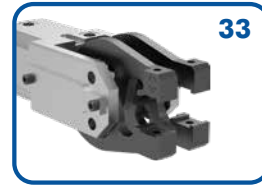
- 76° Jaw Opening (Symmetrical)    **R** 76° Upper/15° Lower Jaw
- X** 30° Jaw Opening (Symmetrical)    **S** 30° Upper/15° Lower Jaw
- Y** 45° Jaw Opening (Symmetrical)    **T** 45° Upper/15° Lower Jaw
- Z** 60° Jaw Opening (Symmetrical)    **U** 60° Upper/15° Lower Jaw



### Jaw Arrangement Options

#### Description

- 33** Double Symmetrical, Straight Design -or- 15° Lower, Double Upper, Straight Design



Specifications	Unit	
Piston	mm	32
Actuation Time (open/close)	sec	0.2
Air Consumption per Double Stroke at 5 bar	L	0.4

# 84A3-3 SERIES (MOVEABLE LOWER JAWS)

Cam Type Sheet Metal Grippers | Ordering Information

## Gripper Teeth, Points and Crown Options (Upper and Lower)

### Steel Teeth

- 00** None
- AA** 14,9x21x12mm - 8JZ-014-3
- AH** 14,9x14x14mm - 8JZ-001-1
- AL** 14,9x14,9x9,8mm - 8JZ-003-1
- AC** 14,9x14x12mm - 8JZ-043-1
- AG** 14,9x14x12mm - 8JZ-050-1
- BK** 14,9x21x11mm - 8JZ-066-1

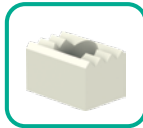


High Temperature  
**AS** 8JZ-094-1



### Plastic Teeth\*

- 00** None
  - KA** 8JZ-021-1
  - KC** 8JZ-023-1 (Upper)
- \*Not suitable for High Temperature applications



Shims for gripper teeth available  
Order Separately **8SB-003-1**  
Dimensions: 14,8 x 13 x 0,15 mm

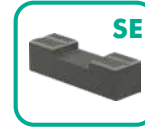
### Steel Points (Upper only)

- 00** None
- PA** 8MJ-1001-1
- PB** 8MJ-1002-1
- PC** 8MJ-1003-1



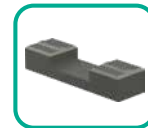
### Crown Teeth - Concave (Lower Only)

- 00** None
- SE** 8JZ-019-1
- SF** 8JZ-020-3
- SH** 8JZ-048-1



### Crown Teeth - Convex (Upper Only)

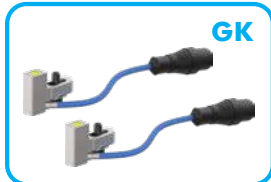
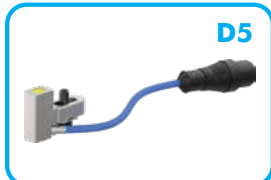
- SB** Mat. = 0,5-1mm - 8JZ-016-2
- SD** Mat. = 1-1,5mm - 8JZ-018-2



## Sensor Options (not suitable for High Temperature applications)

### Description

- 00** None
- KL** Position Control Set, Left for 76° Opening Angle - 8EA-022-4
- KR** Position Control Set, Right for 76° Opening Angle - 8EA-022-4
- D5** Double Sheet Control, M12x1 Plug - 8EA-087-1
- GK** 2X D5

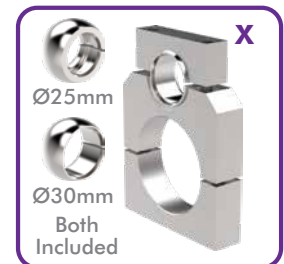
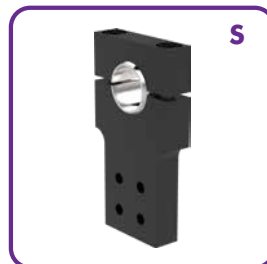


Cover for Sensing Systems **D5, GK**  
Order Separately **82ZB-185-1**

## Mounting Options

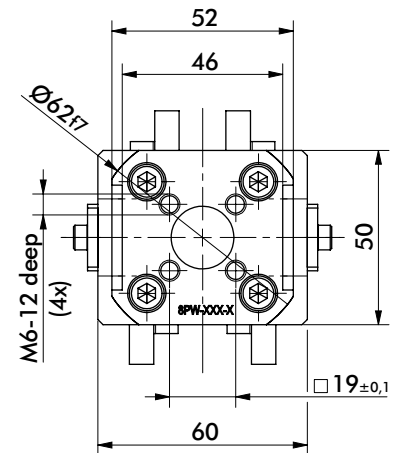
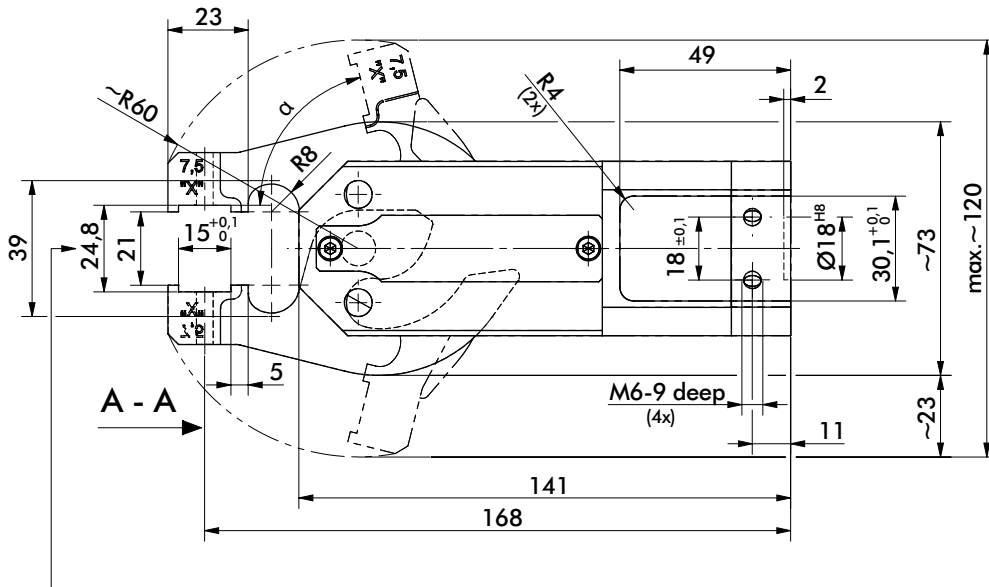
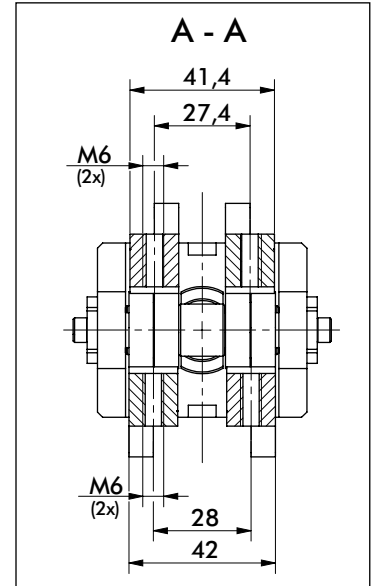
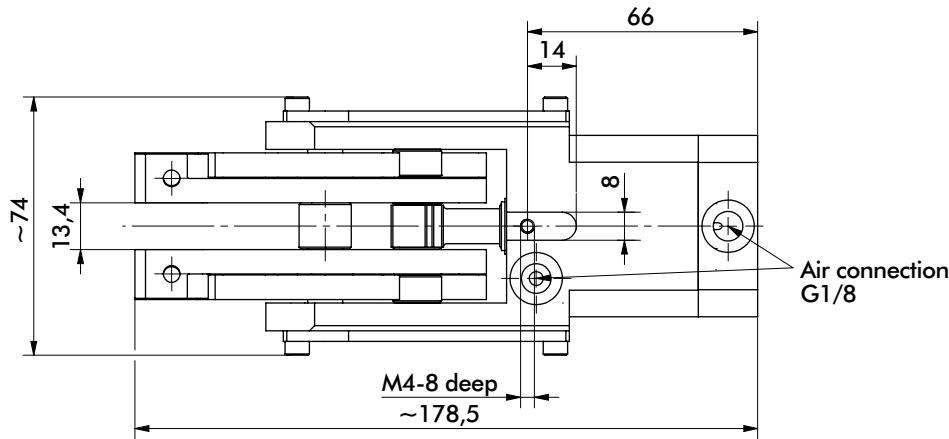
### Description

- 0** None
- A** Rear Flange - 8MA-006-1
- 3** Rear Flange - 8MA-273-1
- S** Rear Swivel Ball - 82ZB-007-1
- X** On-Body Swivel Ball - 82ZB-033-2



# 84A3.33 SERIES (DOUBLE SYMMETRICAL JAW)

Cam Type Sheet Metal Grippers | Dimensions and Technical Specifications



Addition of gripper teeth height and thickness of the clamped plate must be 24,8 mm. It might be necessary to use shim plates or to grind off the gripper teeth.

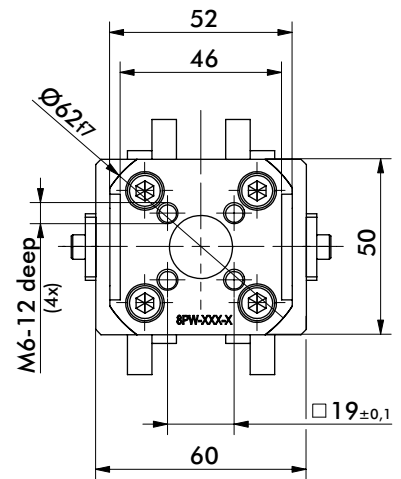
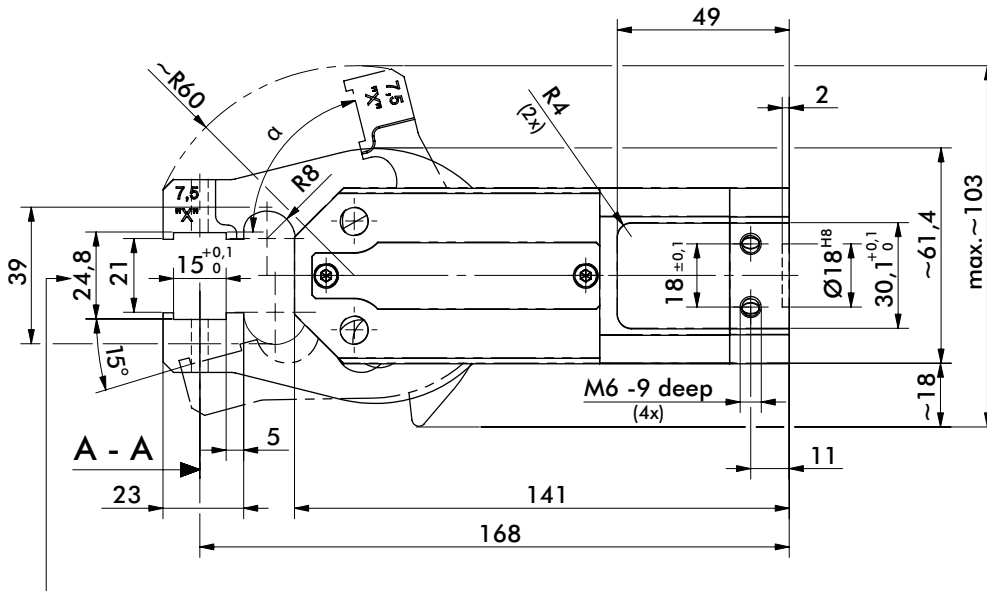
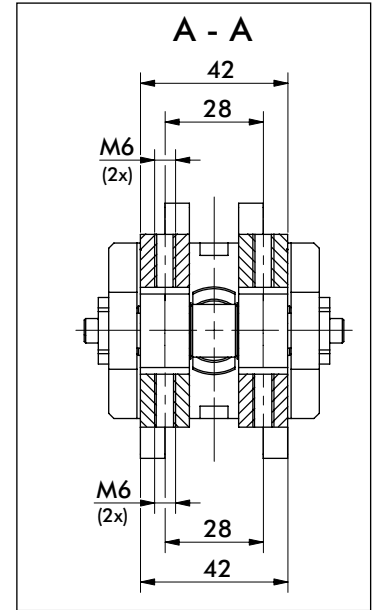
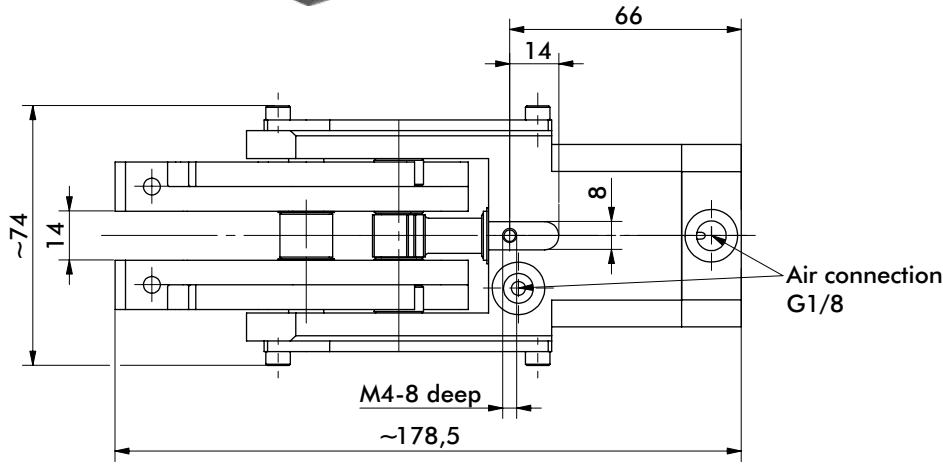
Medium air, max. 6 bar. Operation with oil-free air is permissible.

NOTE! Any extension of the moveable or fixed gripper jaws as well as the additional attachment of weights will void warrantee.

Model 84A3.33	Opening Angle $\alpha$ Symmetrical	Clamping force at 5 bar ~N [lbs]	Weight Kg [lbs]
-	76°	750 [169]	1,48 [3.26]
X	30°		
Y	45°		
Z	60°		

# 84A3.33 SERIES (DOUBLE 15° LOWER JAW)

## Cam Type Sheet Metal Grippers | Dimensions and Technical Specifications



Addition of gripper teeth height and thickness of the clamped plate must be 24,8 mm. It might be necessary to use shim plates or to grind off the gripper teeth.

Medium air, max. 6 bar. Operation with oil-free air is permissible.

NOTE! Any extension of the moveable or fixed gripper jaws as well as the additional attachment of weights will void warrantee.

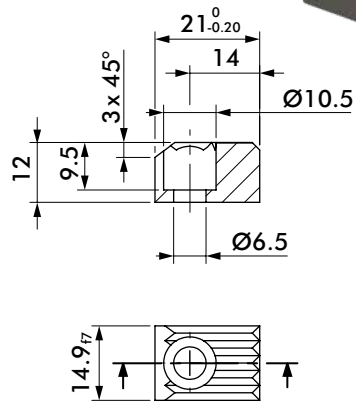
Model 84A3.33	Opening Angle $\alpha$ Upper/Lower	Clamping force at 5 bar ~N [lbs]	Weight Kg [lbs]
R	76°/15°	750 [169]	1,35 [2.98]
S	30°/15°		
T	45°/15°		
U	60°/15°		



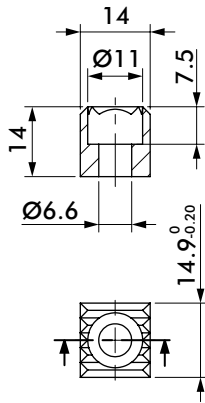
# 84A3 SERIES ACCESSORIES

## Cam Type Sheet Metal Grippers | Dimensions and Ordering Information

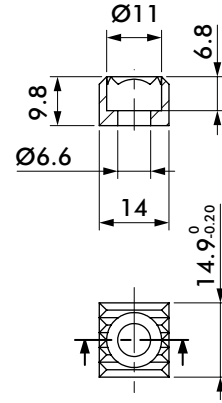
### Steel Teeth



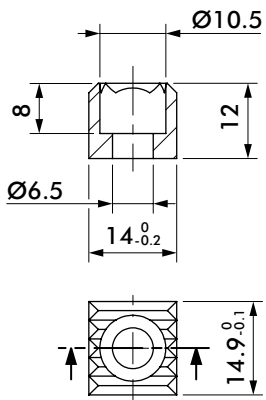
**Steel Teeth** Part Number  
Serrated **8JZ-014-3**



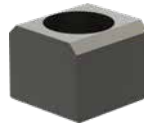
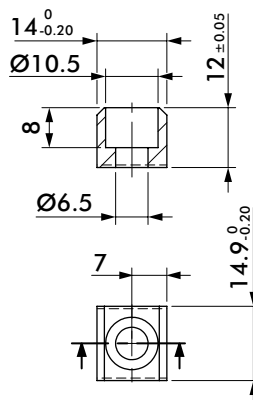
**Steel Teeth** Part Number  
Serrated **8JZ-001-1**



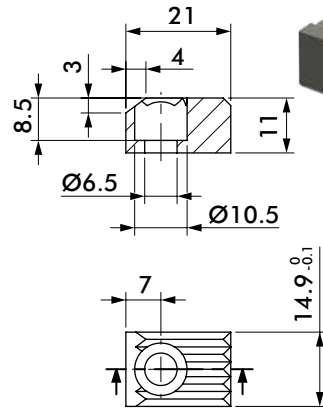
**Steel Teeth** Part Number  
Serrated **8JZ-003-1**



**Steel Teeth** Part Number  
Serrated **8JZ-043-1**

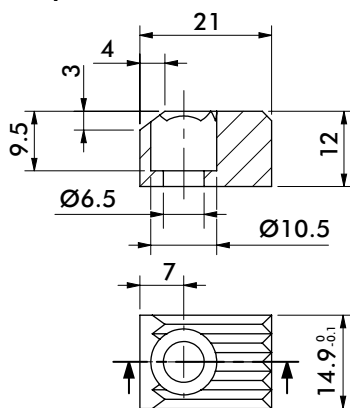


**Steel Teeth** Part Number  
Flat **8JZ-050-1**



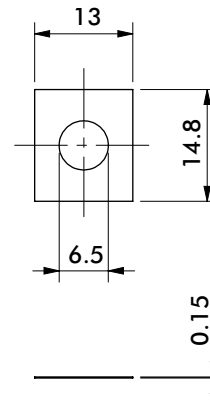
**Steel Teeth** Part Number  
Serrated **8JZ-066-1**

### High Temperature Steel Teeth



**Steel Teeth** Part Number  
High Temperature, Serrated **8JZ-094-1**

### Shims

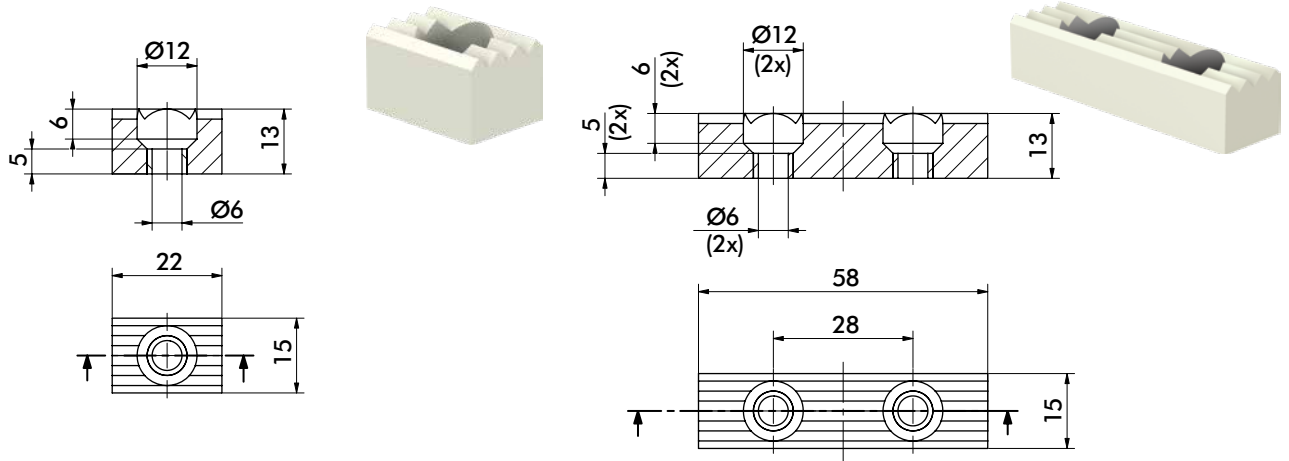


**Shims** Part Number  
Shims for Gripper Teeth **8SB-003-1**

# 84A3 SERIES ACCESSORIES

## Cam Type Sheet Metal Grippers | Dimensions and Ordering Information

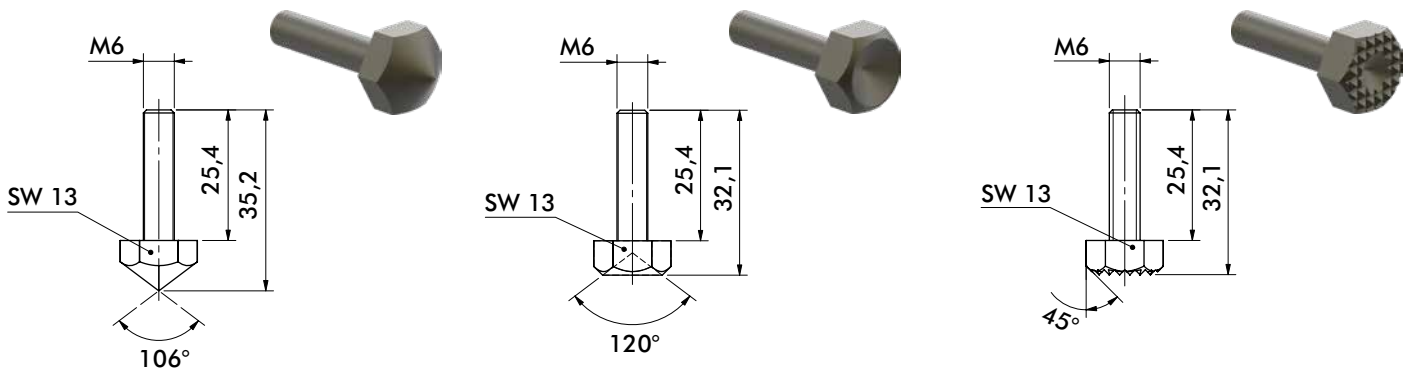
### Plastic Teeth



**Plastic Teeth** Part Number  
90 Shore, Serrated **8JZ-021-1**

**Plastic Teeth** Part Number  
90 Shore, Serrated (Upper) **8JZ-023-1**

### Steel Points

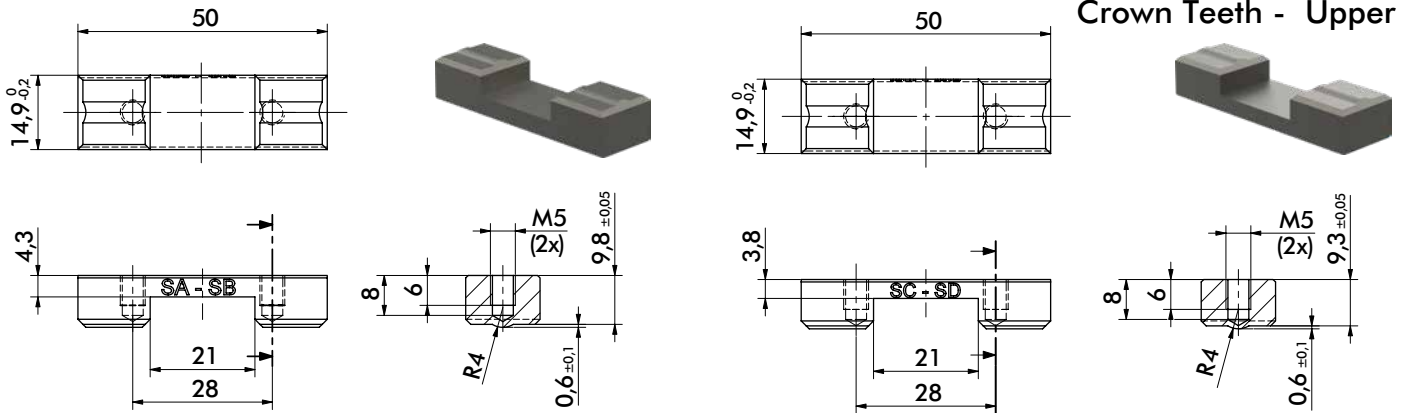


**Steel Point** Part Number  
Pointed **8MJ-1001-1**

**Steel Point** Part Number  
Flat **8MJ-1002-1**

**Steel Point** Part Number  
Serrated **8MJ-1003-1**

### Crown Teeth - Upper



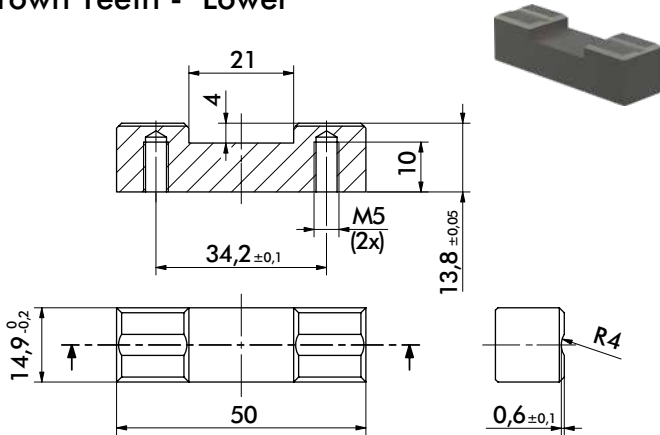
**Crown Teeth** Part Number  
Convex **8JZ-016-2**

**Crown Teeth** Part Number  
Convex **8JZ-018-2**

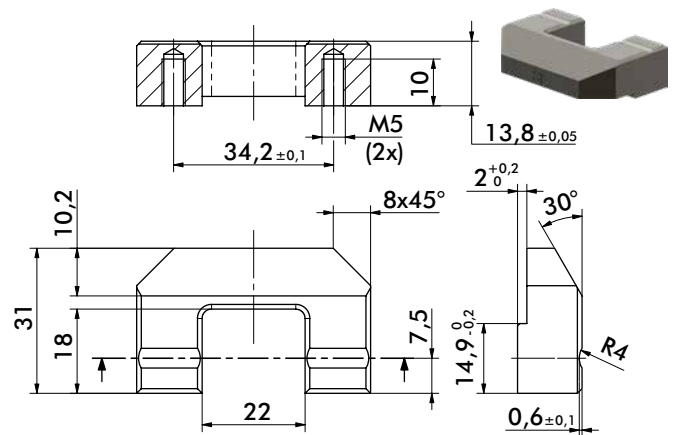
# 84A3 SERIES ACCESSORIES

## Cam Type Sheet Metal Grippers | Dimensions and Ordering Information

### Crown Teeth - Lower

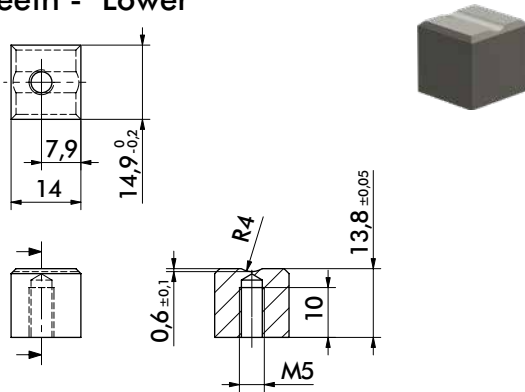


**Crown Teeth** Part Number **8JZ-019-1**  
Concave



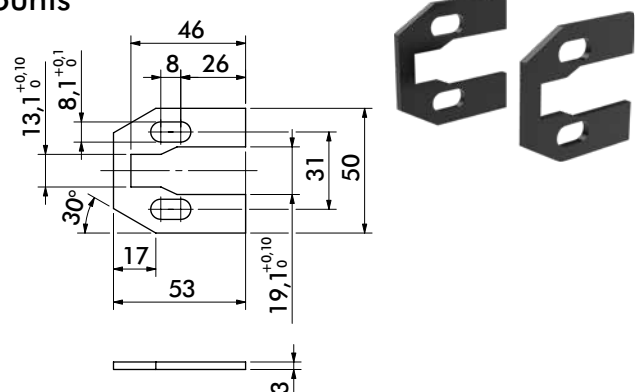
**Crown Teeth** Part Number **8JZ-020-3**  
Concave

### Crown Teeth - Lower



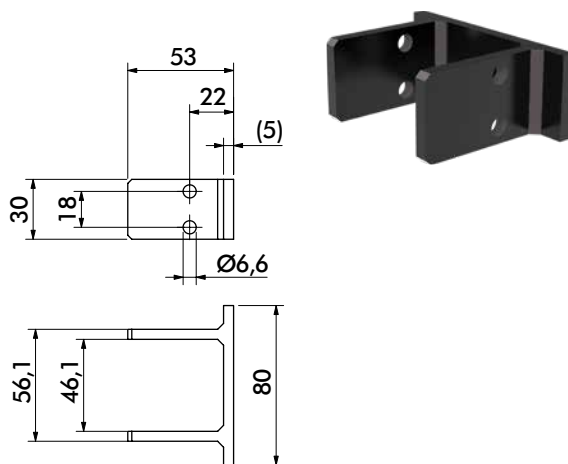
**Crown Teeth** Part Number **8JZ-048-1**  
Concave

### Mounts

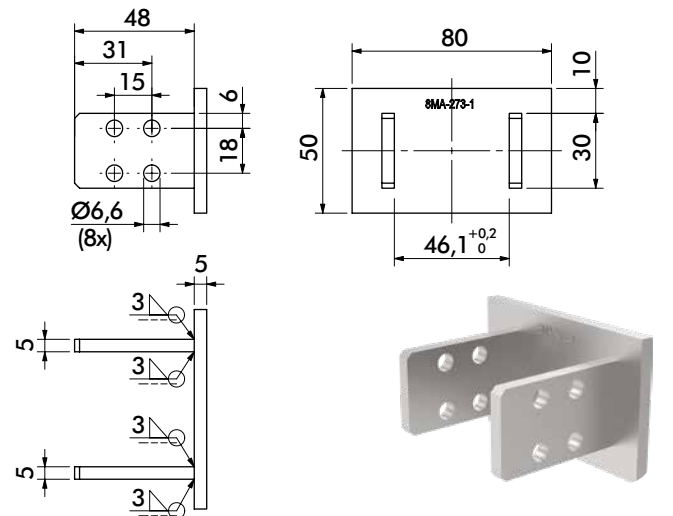


**Mount** Part Number **8MH-046-1**  
Guards

### Mounts



**Mount** Part Number **8MA-006-1**  
Rear Flange

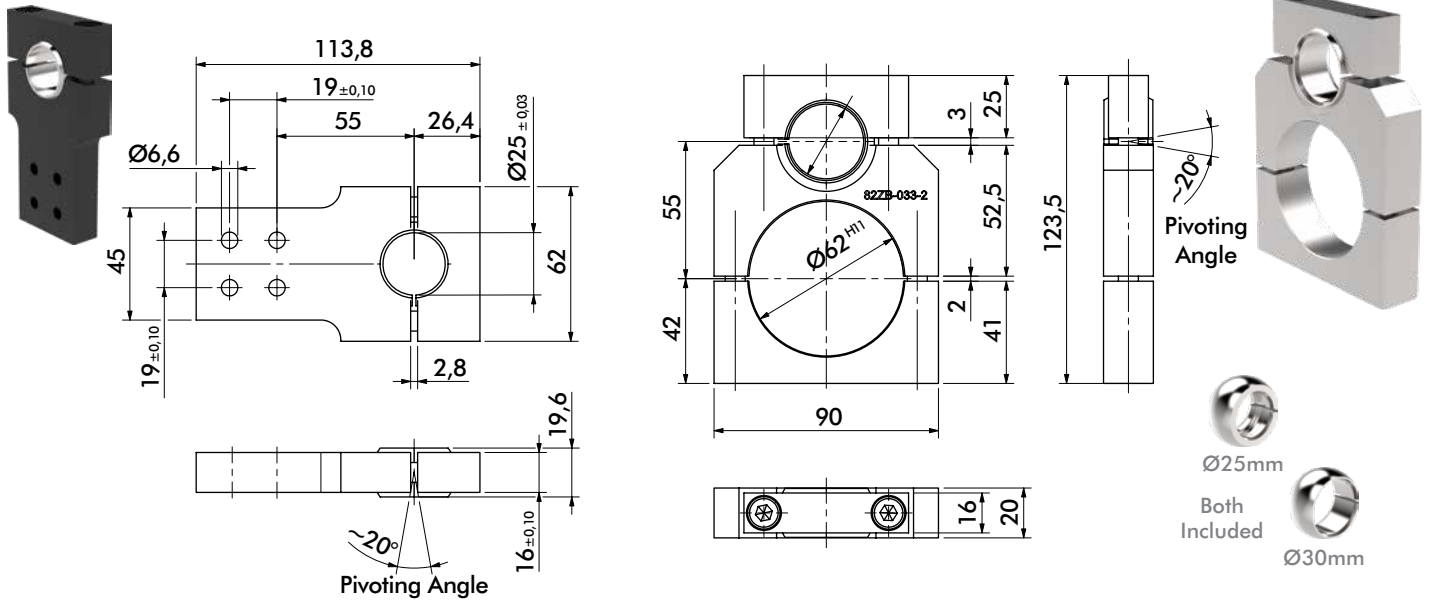


**Mount** Part Number **8MA-273-1**  
Rear Flange

# 84A3 SERIES ACCESSORIES

## Cam Type Sheet Metal Grippers | Dimensions and Ordering Information

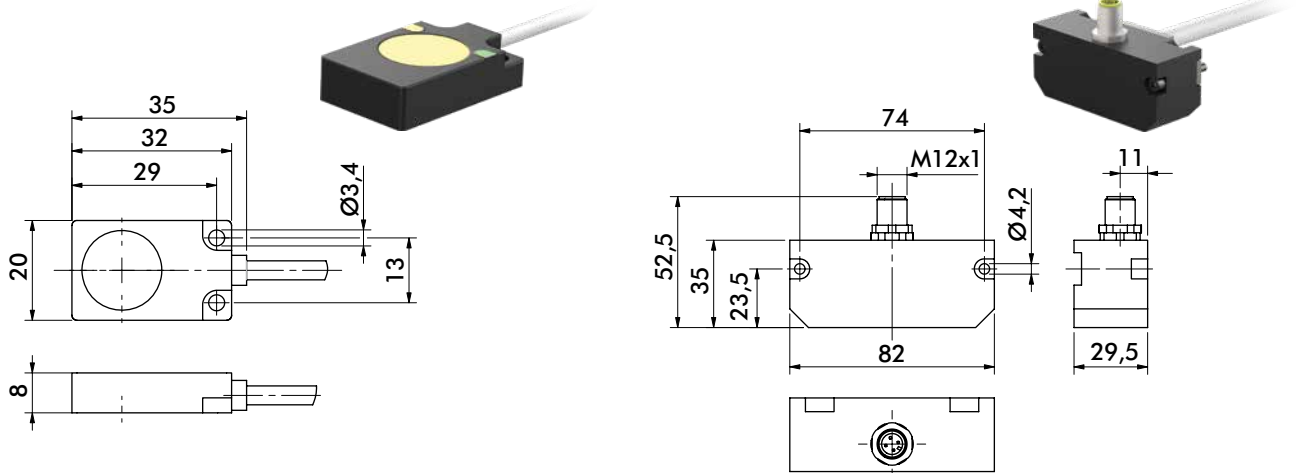
### Mounts



Mount	Part Number
Rear Swivel Ball	<b>82ZB-007-1</b>

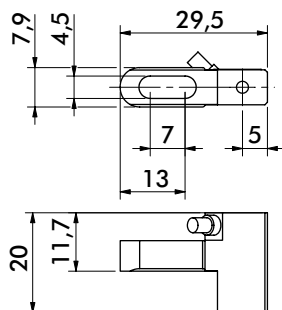
Mount	Part Number
On-Body Swivel Ball	<b>82ZB-033-2</b>

### Sensors



Workpiece Control Sensor	Part Number
7mm Sensing Distance, 2m Cable	<b>8EA-092-1</b>

Position Control Set Sensor	Part Number
For 76° Opening Angle Only	<b>8EA-022-4</b>



Double Sheet Control Sensor	Part Number
1.5mm Sensing Distance	<b>8EA-087-1</b>