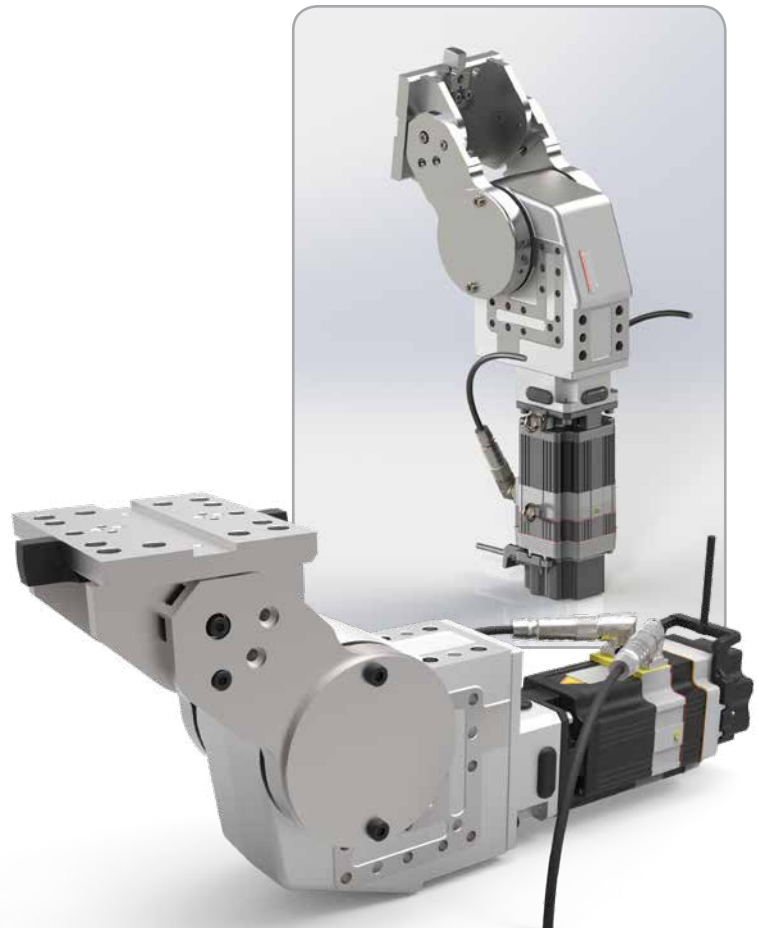


98W Series

Electric Pivot Unit

Destaco power clamping products range from heavy-duty sealed clamps for welding environments, to compact light-duty clamps for a variety of clamping applications. Pin clamps and pivot units are used in locating and positioning applications. All of these products offer exceptional clamping forces, holding capacities, and durability.

The 98W series electric pivot unit is a one-size fits all, compact programmable pivot unit, which replaces four sizes of pneumatic pivot units. The 98W series provides constant torque throughout the entire pivot cycle and is available in two operating modes; continuous operation and a programmed setting. The 98W offer customers flexible saddle arm opening and mounting capabilities, while providing energy and weight savings in a small package.



ROTATE













PIVOT

Product Highlights/Options

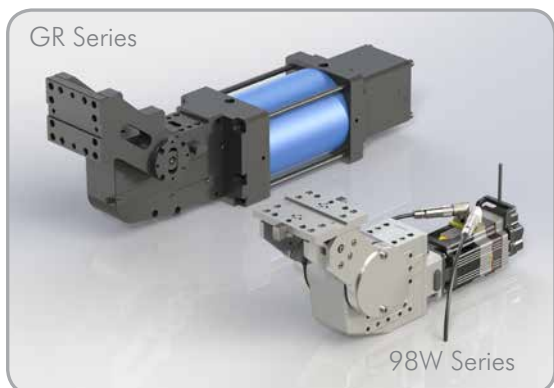
- One size
- Field adjustable
- Constant torque
- Energy saving

Features, Markets and Applications

 <p>LOW/NO MAINTENANCE</p>	<ul style="list-style-type: none"> • The saddle arm mount can easily be adjusted • Saddle arm can be adjusted to three different starting positions • Self locking at each position 	 <p>AUTOMOTIVE</p>	 <p>ASSEMBLY</p>
 <p>PERFORMANCE</p>	<ul style="list-style-type: none"> • Programmable swivel angle positions up to 210° • Can operate in either a programmed or continuous mode • Controlled acceleration and deceleration 	 <p>INDUSTRIAL</p>	 <p>WELDING</p>
 <p>INTERCHANGEABLE</p>	<ul style="list-style-type: none"> • One size replaces four sizes of common pneumatic pivot units • Can be used as a 360° rotate with infinite programmable start/stop positions • Compatible with multiple motor options 	 <p>AEROSTRUCTURE</p>	 <p>FIXTURE/TESTING</p>
		 <p>CONSUMER GOODS</p>	

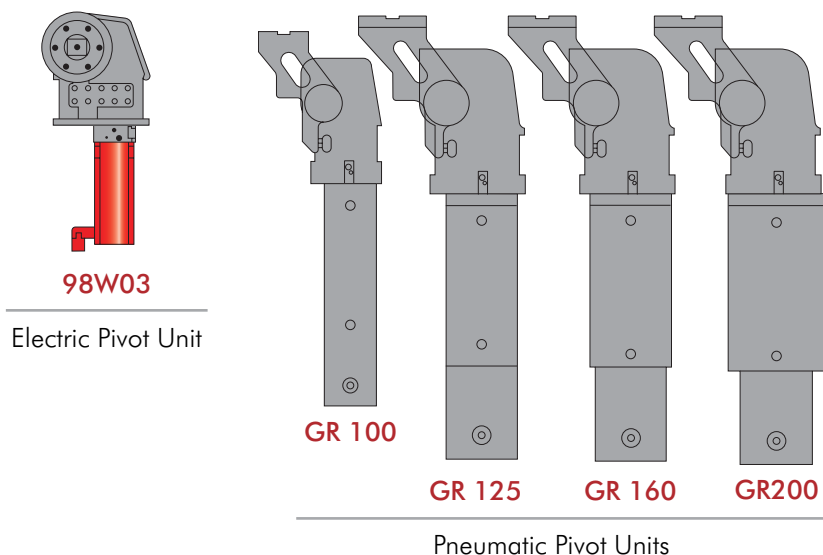
98W Series Electric Pivot Unit

Compact size and lightweight design



The 98W series electric pivot unit can share the same mounting pattern as the pneumatic pivot units, while providing greater energy savings with reduced size and weight.

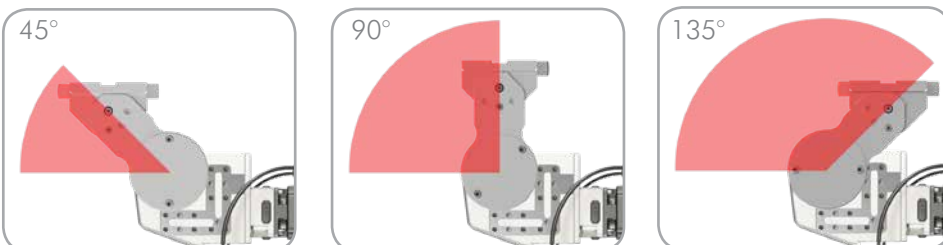
One electric pivot unit replaces four sizes of pneumatic pivot units



Easily adjustable saddle arm and mount

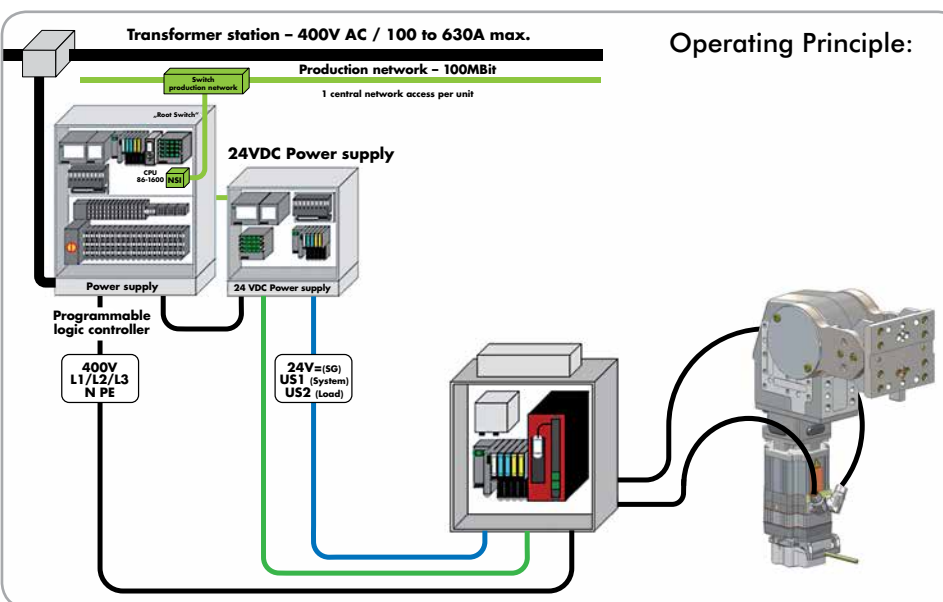
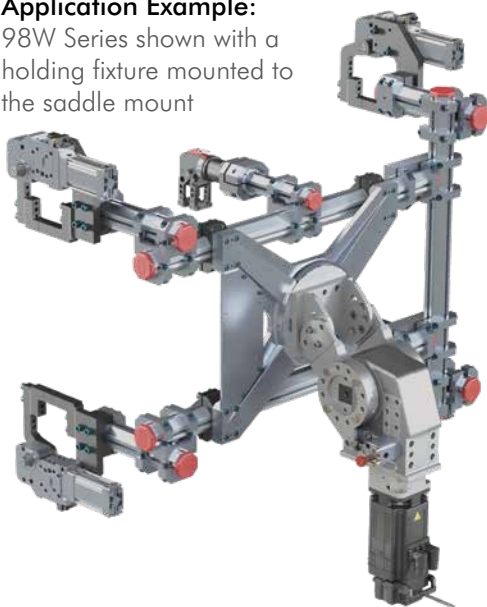
The saddle arm of the electric pivot unit can be adjusted into three different starting positions. Each starting position allows the saddle arm to be pivoted from 135° up to 210°.

Without the saddle arm, the pivot unit can be used as a rotate with 360° rotation.



Application Example:

98W Series shown with a holding fixture mounted to the saddle mount



Dimensions and technical information are subject to change without notice.

PC_98W-F_0119_US

GERMANY
+49-6171-705-0
europe@destaco.com

UNITED KINGDOM
+44-1902-797980
uk@destaco.com

NETHERLANDS
+31-297285332
benelux@destaco.com

THAILAND
+66-2-326-0812
asia@destaco.com

USA
+1-888-DESTACO
+1-248-836-6700
northamerica@destaco.com

FRANCE
Tel: +33-4-7354-5001
france@destaco.com

SPAIN
+34-936361680
spain@destaco.com

CHINA
+86-21-6081-2888
china@destaco.com

INDIA
+91-80-41123421-426
india@destaco.com