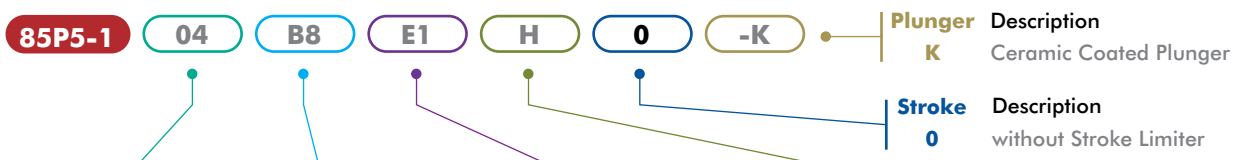


# 85P5-1

## Pneumatic Pin Package | Single Shaft | Ordering Information



Piston Rod	Description
02	Ø16 mm M6 Threaded Inside Hole, Cross Groove
04	NAAMS Standard
A4	NAAMS Standard Rotated 180°
05	Ø10 mm Inside Hole, Cross Groove



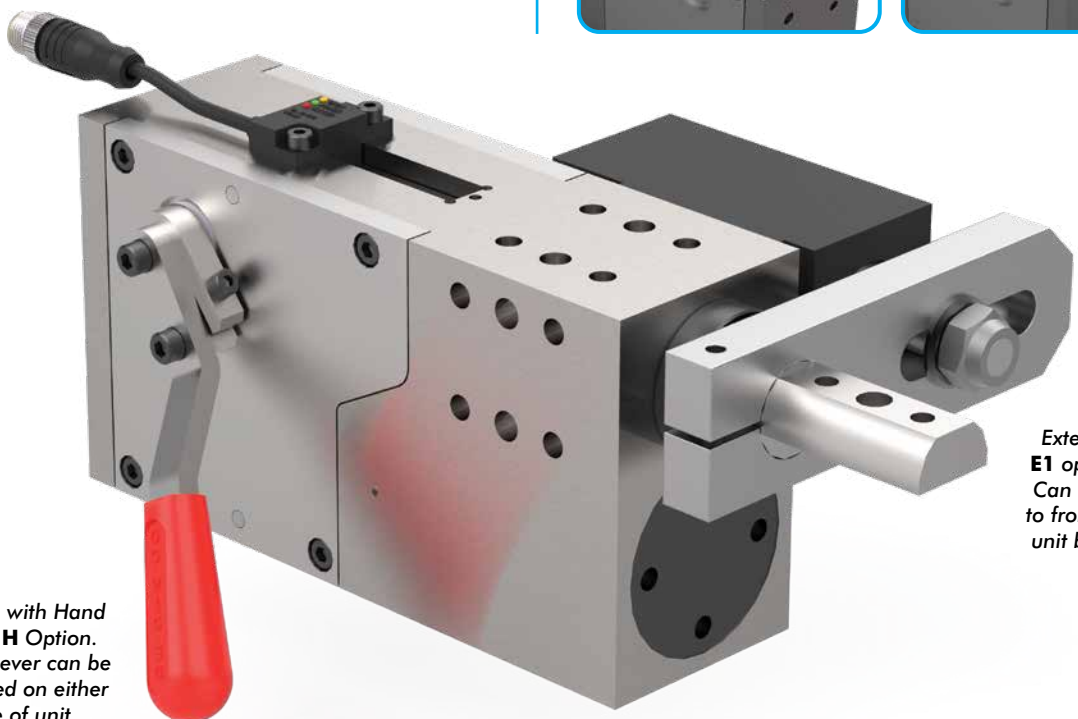
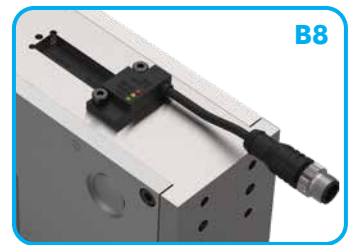
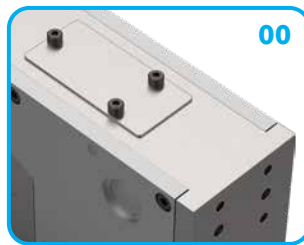
Accessories	Description
00	No Accessories
E1*	External Guide (82ZB-010-2) *External Guide can be mounted to front or sides of unit by customer.



Hand Lever	Description
0	No Hand Lever
H	Hand Lever *Hand Lever can be attached on either side of unit.



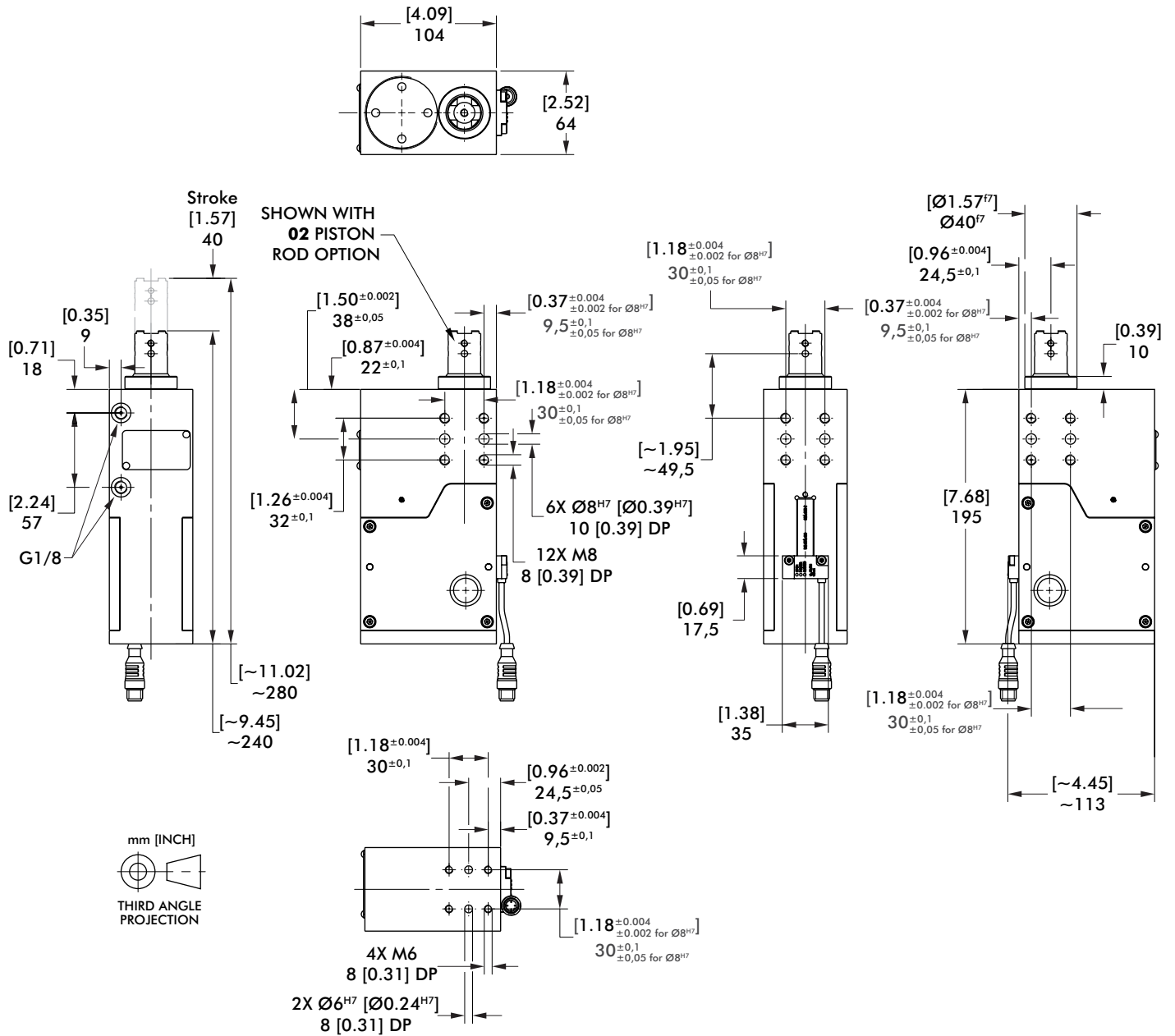
Sensor	Description
00	Without Sensing System
B8	Inductive Sensing System with M12x1 Cable Connector (8EA-033-2)



Shown with Hand Lever H Option. Hand Lever can be attached on either side of unit.

External Guide E1 option shown. Can be mounted to front or sides of unit by customer.

## Pneumatic Pin Package | Single Shaft | Dimensions and Technical Specifications



Medium: Operation with oil free air is permissible

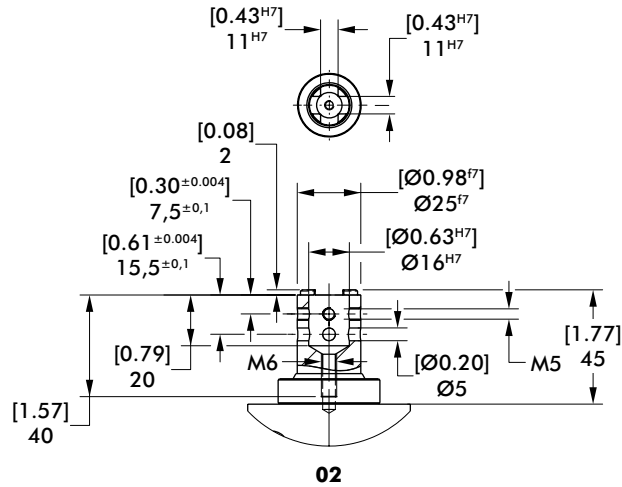
**Note:** Extracting force and retracting force shown in this chart are only available with the last 2 mm stroke at extracted position. In the other range of the stroke the forces will be approximately 30% of value in the chart.

Base Model	Stroke mm [in]	Pushing Force at 6 bar N [lbf]	Retraction Force at 6 bar N [lbf]	Holding Force at 6 bar N [lbf]	Max. Operating Pressure bar [psi]	Piston Ø mm [in]	Weight Kg [lbs]	Air consumption per double stroke at 5 bar dm <sup>3</sup> [ft <sup>3</sup> ]
85P5-1	40 [1.57]	2000 [449]	1000 [225]	5000 [1124]	6 [87]	50 [1.97]	3,8 [8.36]	1,1 [0.04]

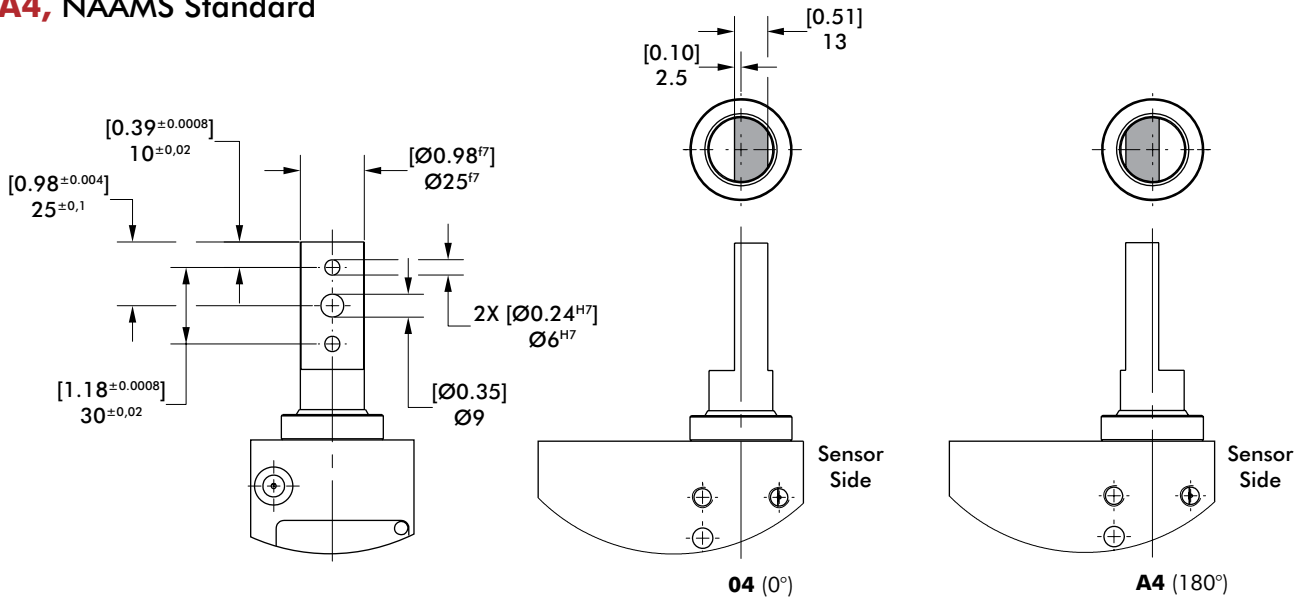
# 85P5-1 PISTON RODS

Pneumatic Pin Package | Single Shaft | Dimensions and Technical Specifications

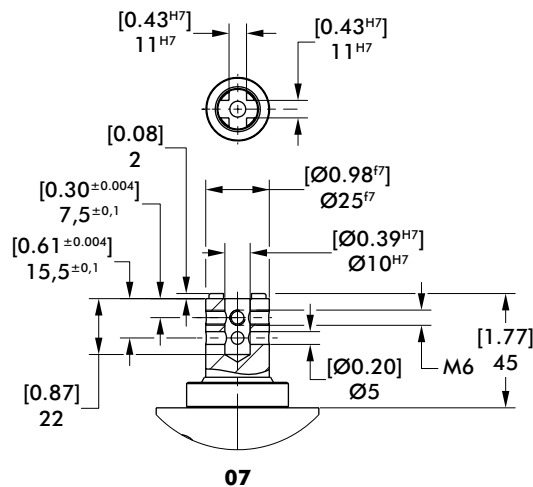
## 02 Ø16 mm M6 Threaded Inside Hole, Cross Groove



## 04, A4, NAAMS Standard



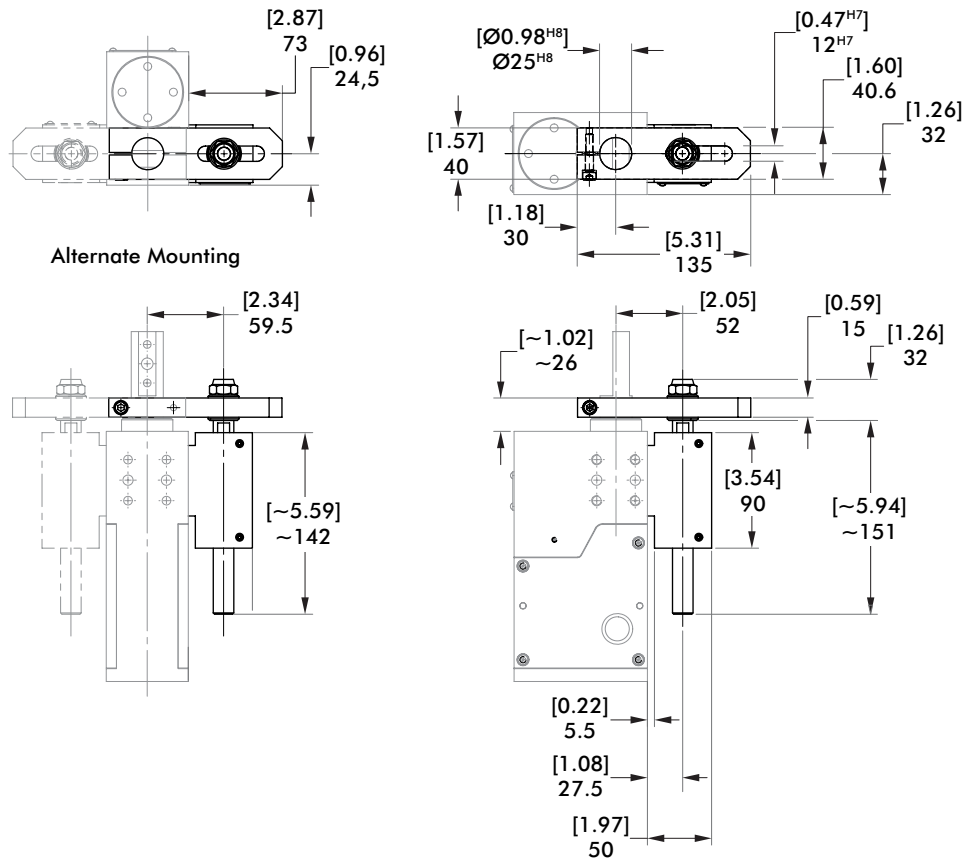
## 07 Ø16 mm Inside Hole, NAAMS



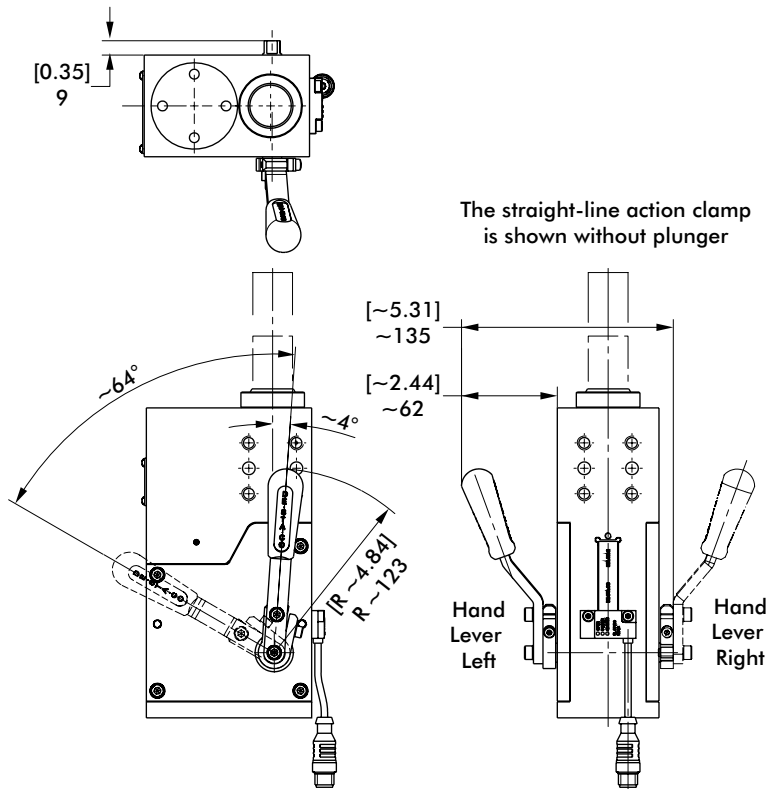
# 85P5-1 OPTIONS

## Pneumatic Pin Package | Single Shaft | Dimensions and Technical Specifications

### E1 External Guide



### H Hand Lever



Model no.

Weight  
kg [lb]

85P5-1\*\*\*\*00H0

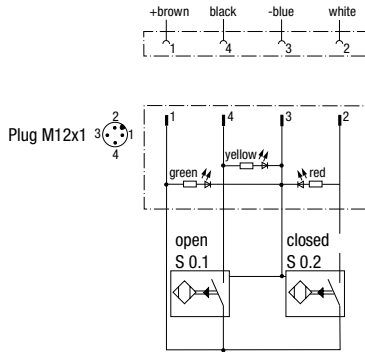
4 [8.82]

# 85P5-1

## Pneumatic Pin Package | Single Shaft | Dimensions and Technical Specifications

### Inductive Sensor Wiring Diagram

Sensing system immune to interference from A.C./D.C. arc welding.

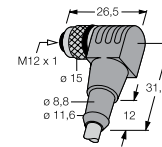


### Sensor Accessories and Spare Parts

Description	Order no.
<b>Sensor Cables (1 connector &amp; 5 m cable)</b>	
M12x1 connector, straight, 5-pin	<b>8EL-002-1</b>
M12x1 connector, 90° angular, 4-pin	<b>8EL-003-1</b>
<b>Spare Parts</b>	
<b>Cylinder</b>	<b>8PW-105-1</b>
<b>Cylinder Seal Kit</b>	<b>8PW-105-1-00</b>



**Straight Cable**



**Angular Cable**

