

DESTACKER DOUBLE BLANK DETECTOR SPRING MOUNTS

Vacuum Products | Features and Options | Ordering Information

DBD Series

Features:

- Orbital design allows compliance to blanks within +/- 15° without having to make any automation, tooling or robot adjustments. [US Patent #4,662,668]
- Elimination of compression springs results in long-lasting, reliable performance
- **HD** Version provides added stability for heavy-duty applications

Specifications:

Operating Pressure: 4 bar [60psi]
Electric: Sensor supplied by customer

CPI-DBD-(X)-SCMB-(T)

Ø1.25" Thru Hole
Bulkhead Mount



CPI-DBD-(X)-SCM10/25-(T)

Ø1.00"/25mm
Extension Mount



CPI-DBD-(X)-SCMB-(T)-HD

Ø1.00"/25mm Tube Mount
Heavy-duty (Double Pogo)



Base Model

DBD
Double Blank
Detector

Sensor Size

42 Ø42mm
54 Ø54mm

(Sensors not
Included)

Mounting Style

SCM10 Ø1.00" Extension Mount
SCM25 Ø25mm Extension Mount
SCMB Bulkhead Mount

Vertical Travel (T) (See pages 46-47)

200E 2.00 in. with NPT Vacuum Port (Except -HD)
400E 4.00 in. with NPT Vacuum Port
600E 6.00 in. with NPT Vacuum Port
800E 8.00 in. with NPT Vacuum Port (-HD only)
050M 50mm with G Vacuum Port (Except -HD)
100M 100mm with G Vacuum Port
150M 150mm with G Vacuum Port
200M 200mm with G Vacuum Port (-HD only)

US/INTL Patents: 6,988,696 / 7,281,739 / 1,921,031

CPI-DBD-(X)-(T)-SCMC-(D)

Ø1.25"/40mm
Tube Mount



X=Sensor Size

42 Ø42mm
54 Ø54mm

(Sensors not Included)

T=Vertical Travel

200E 2.00 in. with NPT Vacuum Port
400E 4.00 in. with NPT Vacuum Port
600E 6.00 in. with NPT Vacuum Port
050M 50mm with G Vacuum Port
100M 100mm with G Vacuum Port
150M 150mm with G Vacuum Port

D=Tube Mount

40 40mm Tube Mount (Metric Only)
150 1.50" Tube Mount (Imperial Only)

(See page 50)

CPI-DBD-42-200E-SCMS

Ø45mm
BodyBuilder Mount

(See page 51)



DESTACKER DOUBLE BLANK DETECTOR SPRING MOUNTS

Vacuum Products | Dimensions | Technical Specifications

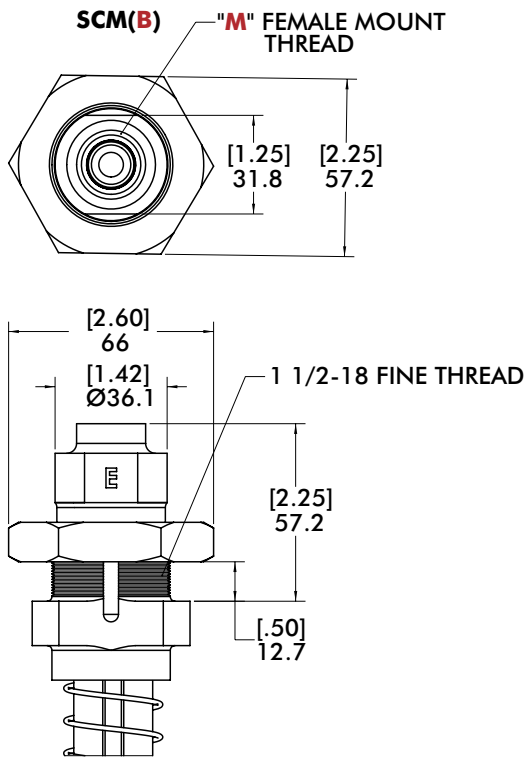
DBD Bulkhead/Extension Style Dimensions



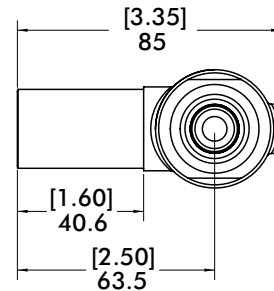
SCMB
Ø1.25" Thru Hole
Bulkhead Mount



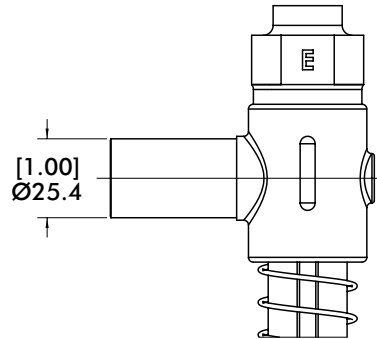
SCM10/25
Ø1.00"/25mm
Extension Mount



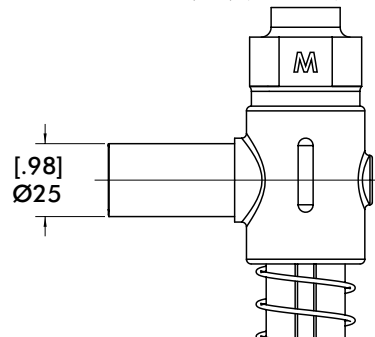
SCM(10) & SCM(25)



SCM(10) (ENGLISH)



SCM(25) (METRIC)

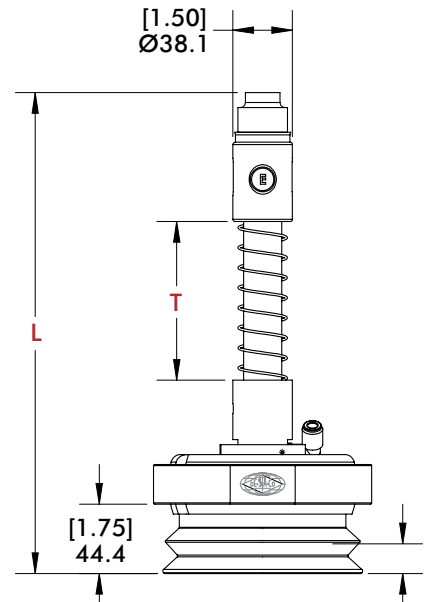
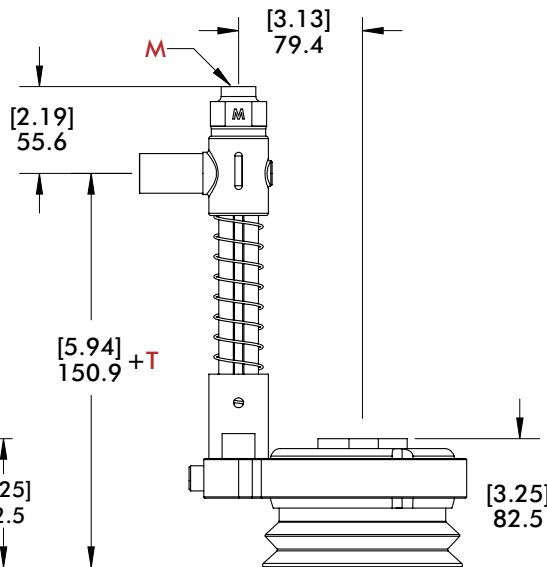
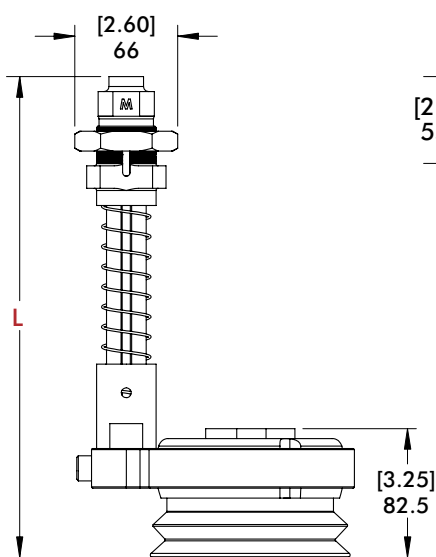
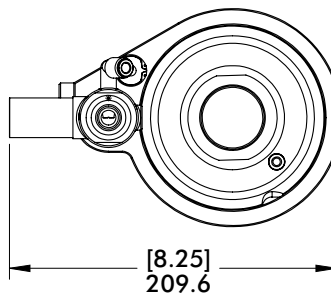
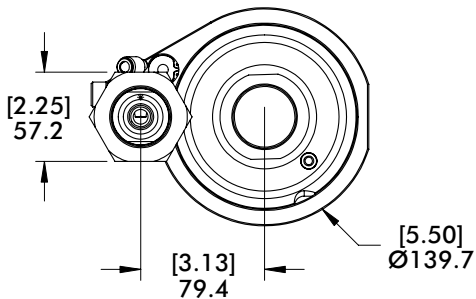
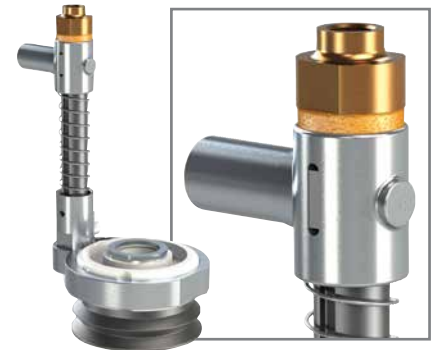
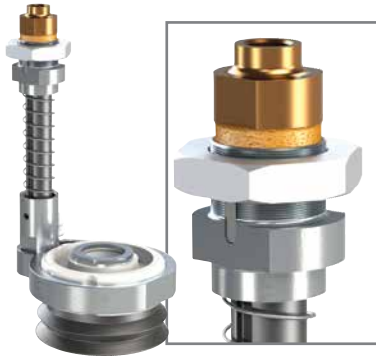


Version	(M)
Imperial	3/8" NPT
Metric	3/8" G

DESTACKER DOUBLE BLANK DETECTOR SPRING MOUNTS

Vacuum Products | Dimensions | Technical Specifications

DBD Bulkhead/Extension Style



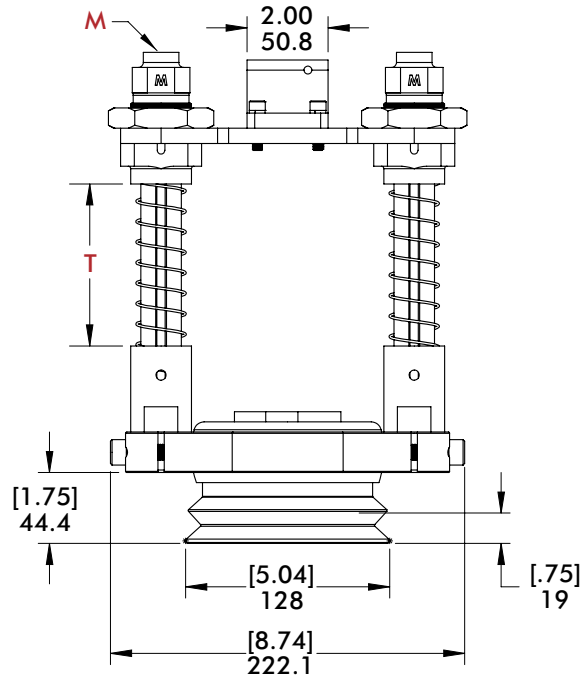
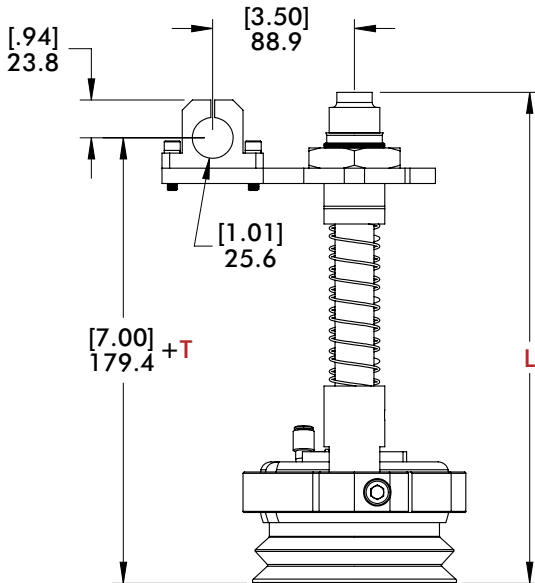
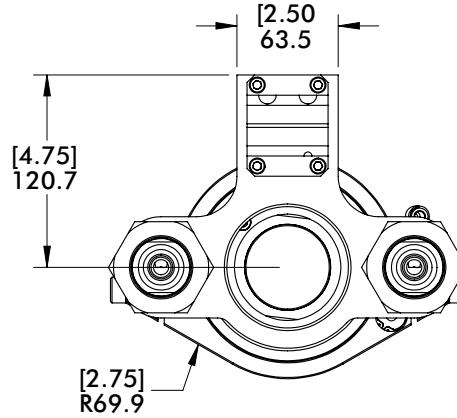
DBD Travel and Length - CPI-DBD-(X)-SCM(X)-(T)

Version	Vertical Travel (T)	(L)	(M)	Weight
Imperial	200E (2.00")	257.1 [10.12]	3/8" NPT	.85kg [1.87 lb]
	400E (4.00")	307.9 [12.12]		.90kg [1.97 lb]
	600E (6.00")	358.7 [14.12]		.94kg [2.08 lb]
Metric	050M (50mm)	257.1 [10.12]	3/8" G	.85kg [1.87 lb]
	100M (100mm)	307.9 [12.12]		.90kg [1.97 lb]
	150M (150mm)	358.7 [14.12]		.94kg [2.08 lb]



DESTACKER DOUBLE BLANK DETECTOR SPRING MOUNTS

Vacuum Products | Dimensions | Technical Specifications

DBD Heavy Duty (Double Pogo)



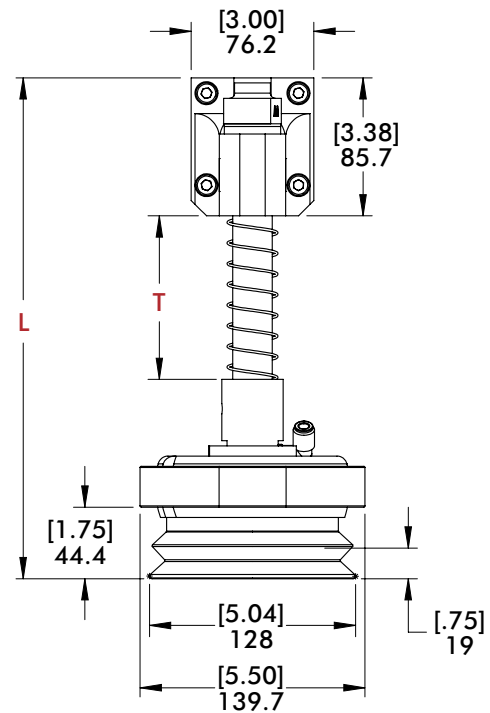
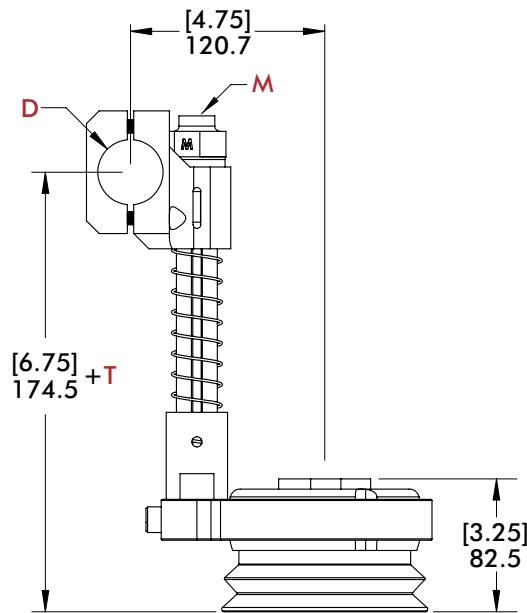
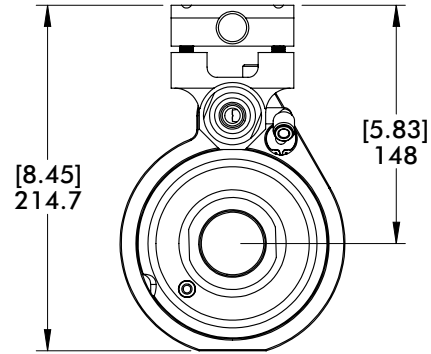
DBD Travel and Length - CPI-DBD-(X)-SCMB-(T)-HD

Version	Vertical Travel (T)	(L)	(M)	Weight
 Imperial	400E (4.00")	307.9 [12.12]	3/8" NPT	3.06kg [6.75 lb]
	600E (6.00")	357.9 [14.09]		3.16kg [6.97 lb]
	800E (8.00")	405.9 [15.98]		3.23kg [7.12 lb]
 Metric	100M (100mm)	307.9 [12.12]	3/8" G	3.06kg [6.75 lb]
	150M (150mm)	357.9 [14.09]		3.16kg [6.97 lb]
	200M (200mm)	405.9 [15.98]		3.23kg [7.12 lb]

BODYBUILDER™ DOUBLE BLANK DETECTOR SPRING MOUNTS

Vacuum Products | Dimensions | Technical Specifications

DBD Ø1.25"/40mm Tube Mount





X=Sensor Size

42 Ø42mm

54 Ø54mm

(Sensors not Included)

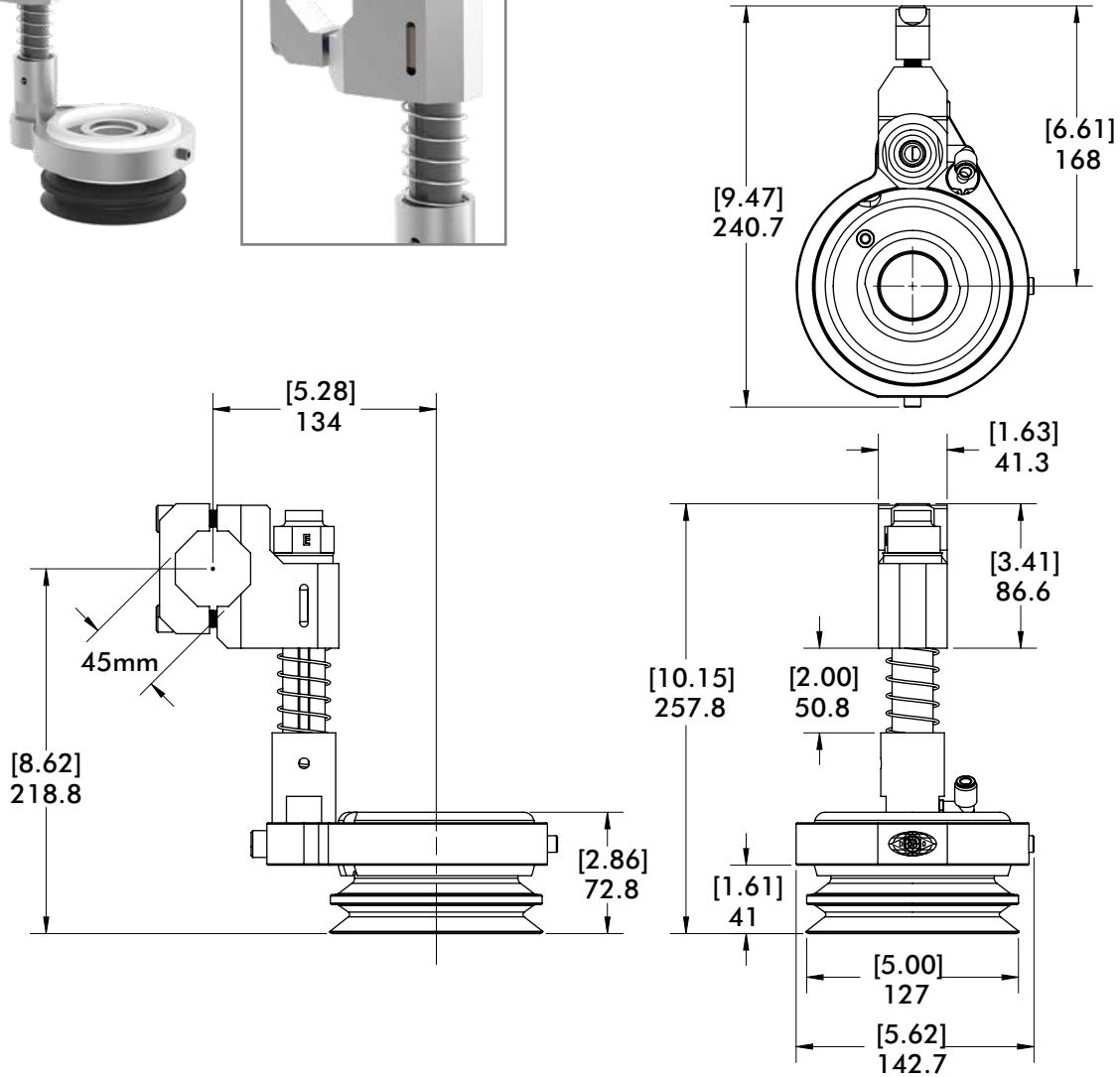
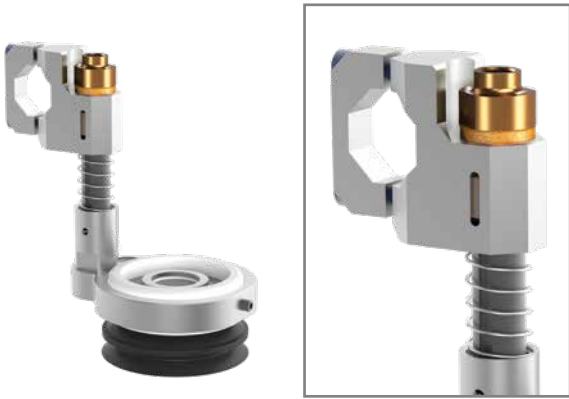
DBD Travel and Length - CPI-DBD-(X)-(T)-SCMC-(D)

Version	Vertical Travel (T)	(L)	(M)	(D)	Weight
 Imperial	200E (2.00")	261.1 [10.28]	3/8" NPT	150 (Ø1.50")	.85kg [1.87 lb]
	400E (4.00")	311.1 [12.25]			.90kg [1.97 lb]
	600E (6.00")	369.9 [14.21]			.94kg [2.08 lb]
 Metric	050M (50mm)	261.1 [10.28]	3/8" G	40M (Ø40mm)	.85kg [1.87 lb]
	100M (100mm)	311.1 [12.25]			.90kg [1.97 lb]
	150M (150mm)	369.9 [14.21]			.94kg [2.08 lb]

DESTACKER DOUBLE BLANK DETECTOR SPRING MOUNTS

Vacuum Products | Dimensions | Technical Specifications

DBD Ø45mm BodyBuilder Mount



CPI-DBD-42-200E-SCMS-45B

Version	Thread	Weight
Imperial	3/8" NPT	1.8kg [3.9 lb]



