

860, 861, 890, 891, 1000, 1001

Pneumatic Power Clamps | Ordering Information

860

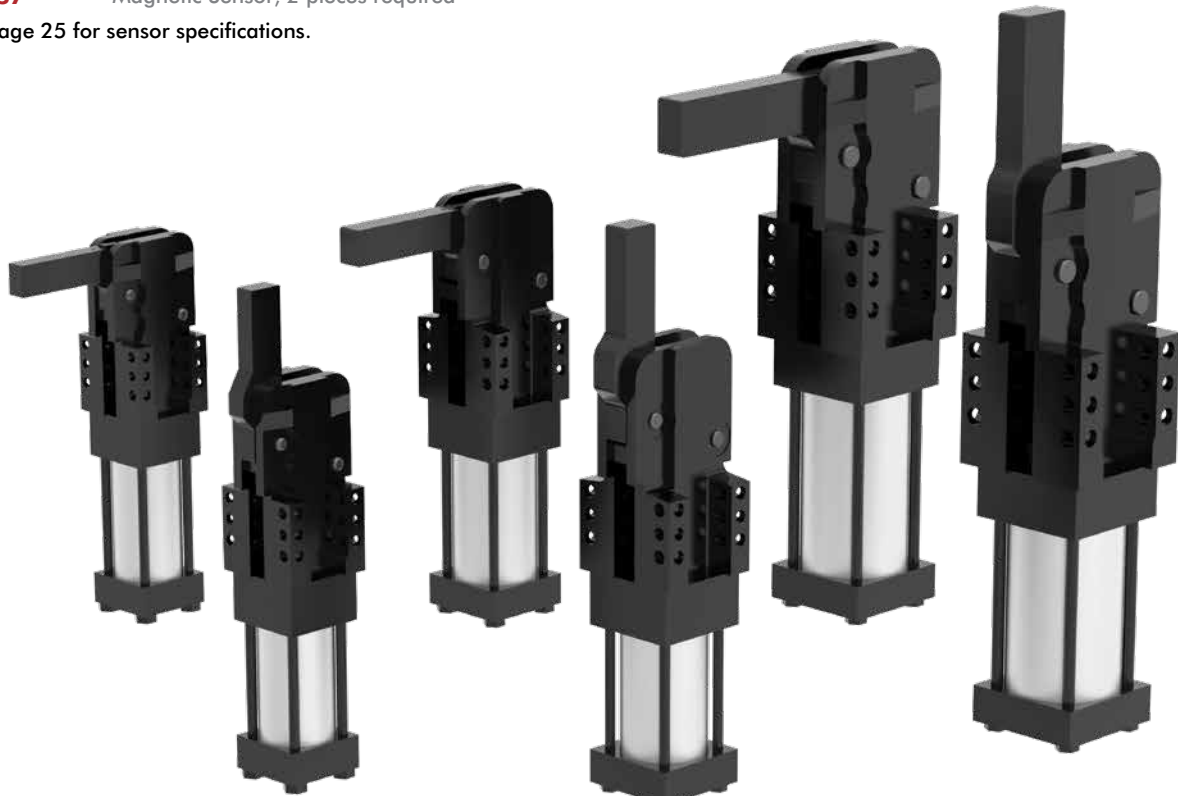
| Base Model | Description |
|-------------|---|
| 860 | 50,8 mm [2 in.] Cylinder with Vertical Clamp Arm |
| 861 | 50,8 mm [2 in.] Cylinder with Horizontal Clamp Arm |
| 890 | 63,5 mm [2.5 in.] Cylinder with Vertical Clamp Arm |
| 891 | 63,5 mm [2.5 in.] Cylinder with Horizontal Clamp Arm |
| 1000 | 82,5 mm [3.25 in.] Cylinder with Vertical Clamp Arm |
| 1001 | 82,5 mm [3.25 in.] Cylinder with Horizontal Clamp Arm |

| Sensors | Description (order separately) |
|-------------------|------------------------------------|
| BIM-IKE-AP | Magnetic Sensor, 2 pieces required |
| 810151 | Magnetic Sensor, 2 pieces required |
| 810153 | Magnetic Sensor, 2 pieces required |
| 810155 | Magnetic Sensor, 2 pieces required |
| 810157 | Magnetic Sensor, 2 pieces required |

See page 25 for sensor specifications.

| Seal Kit | Description (order separately) |
|-----------------|--------------------------------|
| 8610100 | Seal Kit for Model 860, 861 |
| 8910100 | Seal Kit for Model 890, 891 |
| 10010100 | Seal Kit for Model 1000, 1001 |

| Cylinder | Description (order separately) |
|-------------------|-------------------------------------|
| 865133-MR | Replacement Cylinder for Model 860 |
| 865132-MR | Replacement Cylinder for Model 861 |
| 895133-MR | Replacement Cylinder for Model 890 |
| 895132-MR | Replacement Cylinder for Model 891 |
| 1005134-MR | Replacement Cylinder for Model 1000 |
| 1005133-MR | Replacement Cylinder for Model 1001 |



861

Max Holding Torque
380 Nm [280 ft-lb]
Max Clamping Torque
120 Nm [89 ft-lb]
at 5 bar [72 psi]

891

Max Holding Torque
1300 Nm [959 ft-lb]
Max Clamping Torque
270 Nm [199 ft-lb]
at 5 bar [72 psi]

1001

Max Holding Torque
1800 Nm [1328 ft-lb]
Max Clamping Torque
420 Nm [310 ft-lb]
at 5 bar [72 psi]

860

Max Holding Torque
380 Nm [280 ft-lb]
Max Clamping Torque
120 Nm [89 ft-lb]
at 5 bar [72 psi]

890

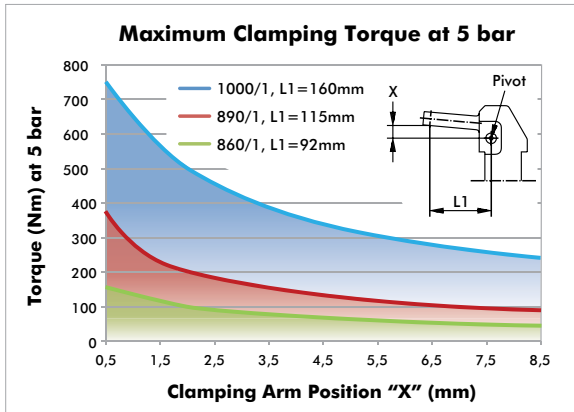
Max Holding Torque
1300 Nm [959 ft-lb]
Max Clamping Torque
270 Nm [199 ft-lb]
at 5 bar [72 psi]

1000

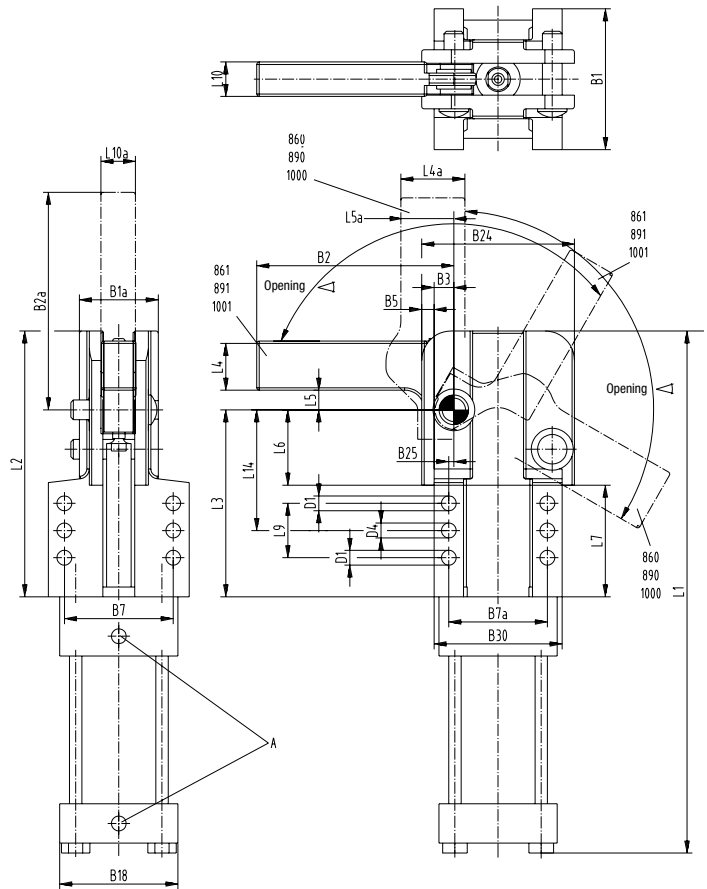
Max Holding Torque
1800 Nm [1328 ft-lb]
Max Clamping Torque
420 Nm [310 ft-lb]
at 5 bar [72 psi]

860, 861, 890, 891, 1000, 1001

Pneumatic Power Clamps | Dimensions and Technical Specifications



| Model | Cylinder Ø mm [in] | Opening Angle | Weight kg [lbs] |
|-------|--------------------|---------------|-----------------|
| 860 | [2.00] | 96° | [8.58] |
| 861 | 50,8 | 119° | 3,9 |
| 890 | [2.50] | 96° | [16.06] |
| 891 | 63,5 | 119° | 7,3 |
| 1000 | [3.25] | 96° | [29.70] |
| 1001 | 82,5 | 119° | 13,5 |



Power by compressed air, max. 6 bar
Operation with oil-free air is permissible.

Information vor machining of clamp arm: Steel 1.0726

| Model | A | B1 | B1A | B2 | B2A | B3 | B5 | B7 | B7A | B18 | B24 | B25 | B30 |
|-------|------|--------|--------|------|--------|--------|--------|--------|--------|--------|--------|--------|--------|
| 860 | G1/8 | [2.94] | [1.75] | - | [5.44] | [0.41] | [0.25] | [2.31] | [2.19] | [2.5] | [3.31] | [0.09] | [2.81] |
| 861 | | 74,7 | 44,5 | [4] | 138,2 | 10,4 | 6,4 | 58,7 | 55,6 | 63,5 | 84,1 | 2,3 | 71,4 |
| 890 | G1/8 | [3.56] | [2] | - | [6.57] | [0.5] | [0.31] | [2.76] | [2.5] | [3] | [3.87] | [0.13] | [3.25] |
| 891 | | 90,4 | 50,8 | 5.06 | 166,9 | 12,7 | 7,9 | 70,1 | 63,5 | 76,2 | 98,3 | 3,3 | 82,6 |
| 1000 | G1/8 | [4.5] | [2.62] | - | [9] | [0.63] | [0.44] | [3.5] | [3.5] | [3.75] | [5.38] | [0.13] | [4.5] |
| 1001 | | 114,3 | 66,5 | 7 | 228,6 | 16 | 11,2 | 88,9 | 88,9 | 95,3 | 136,7 | 3,3 | 114,3 |

| Model | ØD1 | ØD4 | L1 | L2 | L3 | L4 | L4A | L5 | L5a | L6 | L7 | L9 | L10 | L10a | L14 |
|-------|--------|--------|---------|--------|--------|--------|--------|--------|--------|--------|--------|--------|--------|--------|--------|
| 860 | [0.34] | [0.31] | [12.44] | [5.75] | [4.06] | - | [1.12] | -- | [0.69] | [1.44] | [2.5] | [1.25] | [0.62] | [0.62] | [2.5] |
| 861 | 8,6 | 7,9 | 316 | 146,1 | 103,1 | [1.13] | - | [0.4] | -- | 36,6 | 63,5 | 31,8 | 15,7 | 15,7 | 63,5 |
| 890 | [0.41] | [0.38] | [13.37] | [6.75] | [4.75] | - | [1.25] | - | [0.84] | [1.75] | [2.65] | [1.38] | [0.81] | [0.81] | [3.06] |
| 891 | 10,4 | 9,7 | 339,6 | 171,5 | 120,7 | [1.25] | - | [0.5] | -- | 44,5 | 67,3 | 35,1 | 20,6 | 20,6 | 77,7 |
| 1000 | [0.53] | [0.5] | [17.51] | [9.25] | [6.25] | - | [1.75] | - | [1.37] | [2.25] | [3.96] | [2] | [1] | [1] | [3.75] |
| 1001 | 13,5 | 12,7 | 444,8 | 235 | 158,8 | [1.75] | - | [0.88] | -- | 57,2 | 100,6 | 50,8 | 25,4 | 25,4 | 95,3 |